

# Coleman

## PARTS CATALOG

No. 22



# Coleman

PRESSURE-GAS

## PARTS CATALOG

No. 22

Effective September 1, 1930

*Prices Subject to Change Without Notice*

*Containing Price Lists of Repair Parts*  
*for*

Coleman Gas-Pressure Lamps and Lanterns  
Coleman Self-Heating Irons  
Coleman Folding Camp Stoves  
Coleman Radiant Heaters  
Coleman Air-O-Gas Ranges and Cook Stoves  
Coleman Water Heaters  
Coleman Special Utility Burners  
Coleman Outdoor Fuel Tanks

*Published by*

**The Coleman Lamp & Stove Co.**

*General Offices*  
WICHITA, KANSAS

*Branches*  
Chicago, Ill. Philadelphia, Pa.

*Factories*  
Wichita, Kans. Chicago, Ill.

# INDEX

## Parts Lists

	Page
Numerically Arranged by New Numbers .....	77-112
Numerically Arranged by Old Numbers .....	113-119
Double Number List (For Cross Reference) .....	120-123

## Products

<b>Burners:</b>	
Urn Burners .....	70- 71
Urn Burner Generators .....	72- 73
Utility Burner .....	69
<b>Camp Stoves:</b>	
Camp Stove High Stand .....	21- 23
	22
<b>Funnels (Filtering)</b> .....	76
<b>Handy Gas Plants</b> .....	68
<b>Heaters:</b>	
Hot Ray .....	30
Radiant .....	24- 29
Water .....	67
<b>Irons (Self Heating)</b> .....	17- 20
<b>Lamps:</b>	
Instant-Lite .....	4- 5
Quick-Lite .....	6- 9
System .....	15- 16
<b>Lanterns:</b>	
Instant-Lite .....	10
Quick-Lite .....	11- 13
Torch-Lite .....	14
<b>Preheaters (For Ranges &amp; Stoves):</b>	
Instant-Lite .....	66
Match-Lite .....	65
<b>Pumps:</b>	
Stove .....	65
Suction .....	76
Tank .....	74
<b>Ranges (Air-O-Gas)</b> .....	32- 39
<b>Siphons</b> .....	76
<b>Soldering Furnaces</b> .....	69
<b>Stoves (Air-O-Gas)</b> .....	40- 63
<b>Tanks:</b>	
Stove .....	64- 65
Outside Fuel .....	74
<b>Wire Connections</b> .....	75- 76

# Introductory

**T**HIS catalog is prepared especially for your convenience in ordering parts and supplies for Coleman Lamps, Lanterns, Camp Stoves, Irons, Heaters, Burners and Air-O-Gas Stoves. It gives a complete list of parts with net retail prices for the different models made by The Coleman Lamp and Stove Company.

When Ordering always be sure you have given the correct number and description of the part or parts ordered. This insures prompt handling and quick delivery of your order.

**Repair Service**—It is the policy of The Coleman Lamp and Stove Company to co-operate with users of Coleman products in assisting them to secure the largest measure of satisfaction from their purchases. We therefore maintain a Repair and Service Department at each of our branch houses, located at Second and St. Francis, Wichita, Kansas; 352 South Los Angeles St., Los Angeles, Calif.; 7 Walnut St., Philadelphia, Penna.; and 5133 West 65th St., Chicago, Ill. It is the duty of these departments to furnish operative and handling suggestions and to supply the necessary parts for all Coleman products at reasonable prices.

**How to Ship Packages**—When sending in goods for repairs, service or credit, please observe the following points:

1. See that goods are securely packed to prevent damage in transit.
2. Address package to the Coleman office nearest you and mark it "Attention Repair and Service Department."
3. Be sure to put your name and return address on the package, also.
4. Send package by insured parcel post, (insured parcels are traceable), express, or freight.
5. Prepay all transportation charges. We do not pay incoming transportation charges, except by special agreement.
6. On the same day that you send the package, write a letter to The Coleman Lamp and Stove Company, Attention Repair and Service Department, and give instructions as to what you wish done. Tell us how the shipment is being sent—by insured parcel post, express or freight. Mail your letter separately—do not send it inside the package.

It is the intention of each Repair and Service Department to handle all items the same day received. By making shipments as outlined above, you will materially assist us in speeding up the service and the attention your orders will receive.

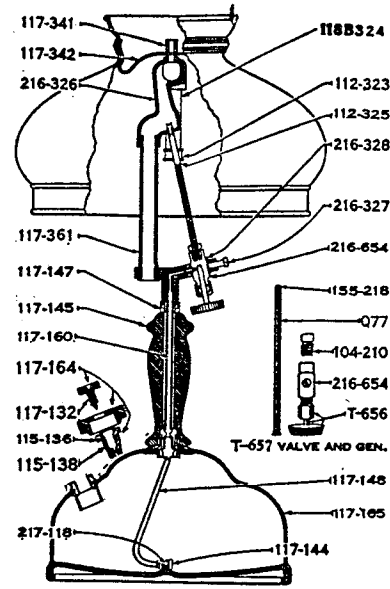
**Returns and Allowances**—Please do not return merchandise to the factory for credit without first having obtained permission for its return. Otherwise this merchandise will be held at owner's risk.

Parts List for

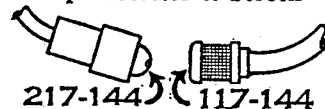
# Coleman Instant-Lite Lamp, Model No. 117

(WITHOUT BUILT-IN PUMP)

Parts No.	Name of Part	Net Retail Price
Q77	Straight Generator (Gas Tip Marked "J") (199-299)	.20
T656	Valve Stem Complete (118-653)	.45
T657	Valve & Generator Complete (118-657)	1.05
101-522	Pump	.75
104-210	Jamb Nut	.03
104-469	Hanger	.09
104-905	Gas Tip Cleaning Needle	.06
112-323	Burner Cap & Screens	.15
112-325	Burner Cap Screen	2 for .06
115-136	Filler Plug Gasket	2 for .06
115-138	Filler Plug Core & Gasket	.30
117-132	Filler Plug Air Stem	.18
*117-144	Tip Protector & Screen	.15
117-145	Lamp Handle	.36
117-147	Handle Lock Nut	.18
117-148	Fuel Wire Complete (Fuel Tip Marked "P")	.54
117-160	Fuel Tube	.60
117-164	Filler Plug Complete	.60
117-165	Fount Complete	5.40
117-341	Shade Holder Screw	.06
117-342	Shade Holder	.30
117-361	Air Intake & Bracket	.90
118B324	Burner Tube	.15
118-399	Burner, Generator & Valve Complete Assembled	3.45
155-218	Gas Tip (Marked "J")	.06
216-326	Mixing Chamber	.90
216-327	Valve Set Screw	.03
216-328	Valve Bracket Wedge	.03
216-509	Pump Leather	2 for .09
216-654	Valve Body	.36
217-118	Fuel Tip (Marked "P")	.06
*217-144	Tip Protector & Screen	.09
605-950	Wrench	.15



Tip Protector & Screen



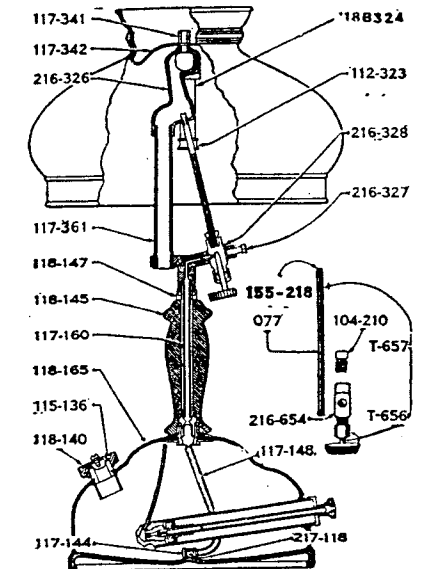
\*NOTE—Tip Protector & Screen Nos. 217-144 and 117-144 are both used on Instant-Lite Lamps and Lanterns, but are not interchangeable. So before ordering, check the Tip Protector & Screen on your Instant-Lite Lamp or Lantern with the illustrations above. Then order by correct number the one that corresponds to Tip Protector & Screen you are now using.

Parts List for

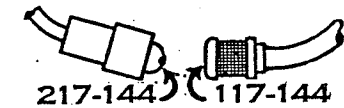
# Coleman Instant-Lite Lamps, Model Nos. 118, 119

(WITH BUILT-IN PUMPS)

Parts No.	Name of Part	Net Retail Price
Q77	Straight Generator (Gas Tip Marked "J") (199-299)	.20
T656	Valve Stem Complete (118-653)	.45
T657	Valve & Generator Complete (118-657)	1.05
104-210	Jamb Nut	.03
104-469	Hanger	.09
104-905	Gas Tip Cleaning Needle	.06
112-323	Burner Cap & Screens	.15
112-325	Burner Cap Screen	2 for .06
115-136	Filler Plug Gasket	2 for .06
*117-144	Tip Protector & Screen	.15
117-148	Fuel Wire Complete (Fuel Tip Marked "P")	.54
117-160	Fuel Tube	.60
117-341	Shade Holder Screw	.06
117-342	Shade Holder	.30
117-361	Air Intake & Bracket	.90
118-140	Filler Plug Complete	.48
118-145	Lamp Handle	.36
118-147	Handle Lock Nut	.18
118-165	Fount Complete	7.50
118B324	Burner Tube	.15
118-399	Burner, Generator & Valve Complete Assembled	3.45
118-520	Pump Plunger Complete (Less Air Stem)	.60
155-218	Gas Tip (Marked "J")	.06
204-139	Filler Plug Disc, Gasket & Screw	.15
216-326	Mixing Chamber	.90
216-327	Valve Set Screw	.03
216-328	Valve Bracket Wedge	.03
216-509	Pump Leather	2 for .09
216-532	Air Stem	.15
216-538	Check Valve	.15
216-654	Valve Body	.36
217-118	Fuel Tip (Marked "P")	.06
*217-144	Tip Protector & Screen	.09
605-950	Wrench	.15



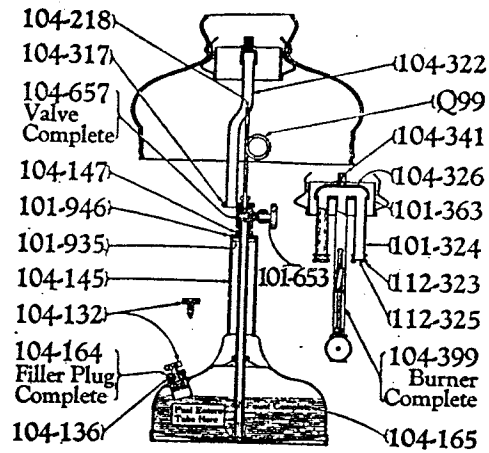
Tip Protector & Screen



\*NOTE—Tip Protector & Screen Nos. 217-144 and 117-144 are both used on Instant-Lite Lamps and Lanterns, but are not interchangeable. So before ordering, check the Tip Protector & Screen on your Instant-Lite Lamp or Lantern with the illustrations above. Then order by correct number the one that corresponds to Tip Protector & Screen you are now using.

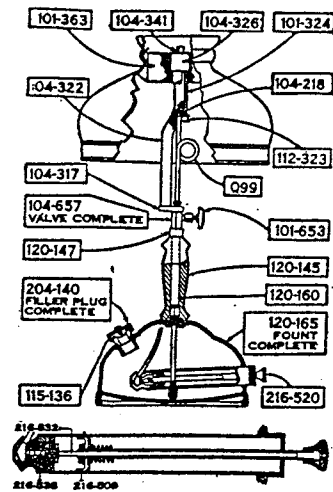
# Coleman Quick-Lite Lamps, "C" Models

Nos. C317, C318, C321, C322, C324, C329, C329A, C329B, C331, C333, C334, C335A, C335C, C335D



"C" MODEL QUICK-LITE LAMPS  
(WITH SEPARATE PUMP)

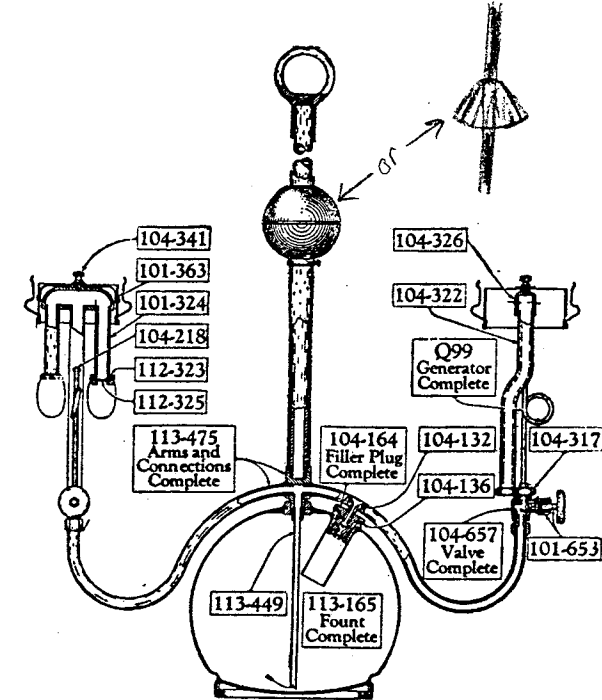
Parts No.	Name of Part	Net Retail Price
Q99	Coil Generator (Gas Tip Marked "Q") (104-299)	.35
101-324	Burner Tube	.15
101-363	Shade Holder	.30
101-522	Pump	.75
101-653	Valve Stem Complete	.30
101-946	Handle Metal Washer	2 for .06
104-105	Finishing Shell	.36
104-132	Filler Plug Air Stem	.18
104-136	Filler Plug Gasket	2 for .06
104-145	Fibre Lamp Handle	.30
104-147	Lock Nut	.06
104-164	Filler Plug Complete	.60
104-165	Fount Complete	5.40
104-218	Gas Tip (Marked "Q")	.06
104-317	Burner Support Coupling	.18
104-322	Air Intake Tube	.36
104-326	Mixing Chamber	.48
104-341	Shade Holder Screw	.06
104-399	Burner, Generator & Valve Complete Assembled	3.00
104-469	Hanger	.09
104-657	Fuel Valve Complete	.75
104-905	Gas Tip Cleaning Needle	.06
104-950	Wrench	.15
112-323	Burner Cap & Screens	.15
112-325	Burner Cap Screen	2 for .06
216-509	Pump Leather	2 for .09



MODEL NO. C331 QUICK-LITE LAMP  
(WITH BUILT-IN-PUMP)

Parts No.	Name of Part	Net Retail Price
Q99	Coil Generator (Gas Tip Marked "Q") (104-299)	.35
101-324	Burner Tube	.15
101-363	Shade Holder	.30
101-653	Valve Stem Complete	.30
104-218	Gas Tip (Marked "Q")	.06
104-317	Burner Support Coupling	.18
104-322	Air Intake Tube	.36
104-326	Mixing Chamber	.48
104-341	Shade Holder Screw	.06
104-399	Burner, Generator & Valve Complete Assembled	3.00
104-469	Hanger	.09
104-657	Fuel Valve Complete	.75
104-905	Gas Tip Cleaning Needle	.06
112-323	Burner Cap & Screens	.15
112-325	Burner Cap Screen	2 for .06
115-136	Filler Plug Gasket	2 for .06
120-145	Lamp Handle	.36
120-147	Handle Lock Nut	.15
120-160	Fuel Wire With Fuel Tube	.45
120-165	Fount Complete	7.50
204-139	Filler Plug Disc, Gasket & Screw	.15
204-140	Filler Plug Complete	.48
216-509	Pump Leather	2 for .09
216-520	Pump Plunger Complete (Less Air Stem)	.60
216-532	Air Stem	.15
216-538	Check Valve	.15
605-913	Alcohol Torch (Only)	.15
605-920	Alcohol Torch & Bottle Complete	.24
605-950	Wrench	.15

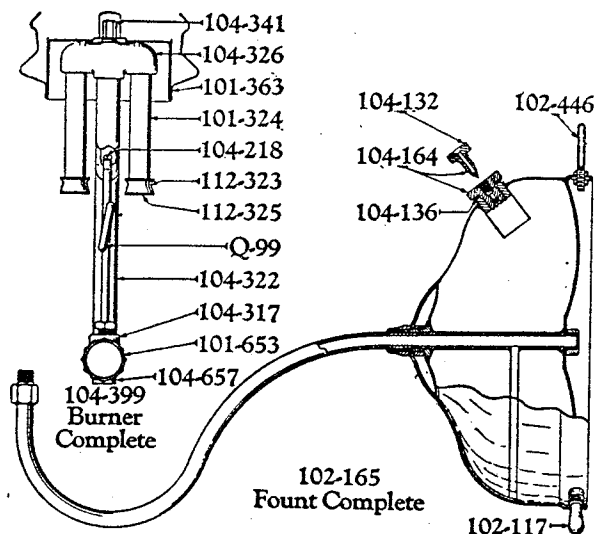
# Coleman Quick-Lite Chandelier Lamp, Model "P"



QUICK-LITE CHANDELIER LAMP MODEL "P"  
(With Separate Pump)

Parts No.	Name of Part	Net Retail Price
Q99	Coil Generator (Gas Tip Marked "Q") (104-299)	.35
101-324	Burner Tube	.15
101-363	Shade Holder	.30
101-522	Pump	.75
101-653	Valve Stem Complete	.30
104-132	Filler Plug Air Stem	.18
104-136	Filler Plug Gasket	2 for .06
104-164	Filler Plug Complete	.60
104-218	Gas Tip (Marked "Q")	.06
104-317	Burner Support Coupling	.18
104-322	Air Intake Tube	.36
104-326	Mixing Chamber	.48
104-341	Shade Holder Screw	.06
104-399	Burner, Generator & Valve Complete Assembled	3.00
104-657	Fuel Valve Complete	.75
104-905	Gas Tip Cleaning Needle	.06
104-950	Wrench	.15
112-323	Burner Cap & Screens	.15
112-325	Burner Cap Screen	2 for .06
112-437	Hanger (17" Long)	.36
112-440	Hanger Casing (16 1/4" Long)	.36
113-165	Fount Complete	7.50
113-443	Hanger Ring	.30
113-449	Fuel Wire	.15
113-450	Ornamental Shell Complete	.60
113-475	Arms & Fuel Wire	3.60
216-509	Pump Leather	2 for .09

Parts List for  
Coleman Quick-Lite Bracket Lamp, Model "B"

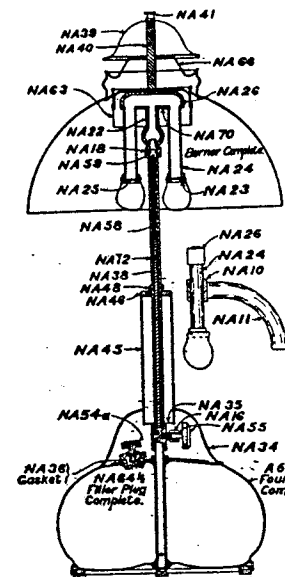


MODEL "B" QUICK-LITE BRACKET LAMP

(With Separate Pump)

Parts No.	Name of Part	Net Retail Price
Q99	Coil Generator (Gas Tip Marked "Q") (104-299)	.35
101-324	Burner Tube	.15
101-363	Shade Holder	.30
101-522	Pump	.75
101-653	Valve Stem Complete	.30
102-117	Screw & Foot	.15
102-165	Fount Complete	6.60
102-446	Hanger Ring & Nuts	.18
104-132	Filler Plug Air Stem	.18
104-136	Filler Plug Gasket	2 for .06
104-164	Filler Plug Complete	.60
104-218	Gas Tip (Marked "Q")	.06
104-317	Burner Support Coupling	.18
104-322	Air Intake Tube	.36
104-326	Mixing Chamber	.48
104-341	Shade Holder Screw	.06
104-399	Burner, Generator & Valve Complete Assembled	3.00
104-657	Fuel Valve Complete	.75
104-905	Gas Tip Cleaning Needle	.06
104-950	Wrench	.15
112-323	Burner Cap & Screens	.15
112-325	Burner Cap Screen	2 for .06
216-509	Pump Leather	2 for .09

Coleman Air-O-Lite Lamp, Model 'A' and 'AA'

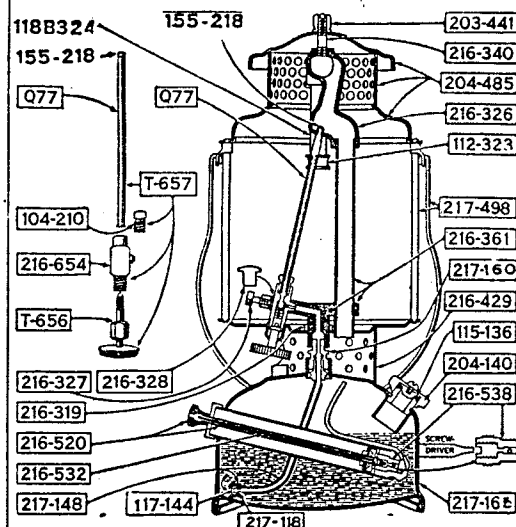


Old Parts No.	New Parts No.	Name of Part	Net Retail Price
A65	E	Fount Complete	6.00
NA	101-299	Valve, Handle & Generator Complete	2.25
NA	101-522	Pump	.75
NA	101-950	Wrench	.18
NA	104-469	Hanger	.09
NA	104-905	Gas Tip Cleaning Needle	.06
NA	140-903	Alcohol Torch	.15
NA	216-509	Pump Leather	2 for .09
NA10	101-310	Air Intake Coupling	.30
NA11		Air Intake Tube	.30
NA18	101-218	Gas Tip	.24
NA22	101-322	Bunsen Tube	.15
NA23-25	112-323	Burner Cap & Screens	.15
NA24	101-324	Burner Tube	.15
NA25	112-325	Burner Cap Screen	2 for .06
NA26	104-326	Mixing Chamber	.48
NA32	101-154	Filler Plug Air Stem	.18
NA54A		Valve Cover	.60
NA34	101-935	Handle Metal Washer	2 for .06
NA35	101-136	Filler Plug Gasket	2 for .06
NA36		Heat Bell	.45
NA39		Heat Bell Stem	.09
NA40	104-341	Shade Holder Screw	.06
NA41	101-145	Fibre Lamp Handle	.30
NA45	101-946	Handle Fibre Washer	.06
NA46		Set Collar & Screw	.12
NA48	101-653	Valve Stem Complete	.30
NA55-16	101-657	Fuel Valve Complete	.75
NA57-16-55	101-258	Asbestos Wick (Tied)	2 for .15
NA58	101-259	Gas Tip Screen	2 for .15
NA59	101-265	Generator Barrel & Asbestos Wick	1.05
NA58-12	101-363	Shade Holder	.30
NA63	101-164	Filler Plug Complete	.75
NA64 1/2		Heat Bell Plate & Spring	.15
NA66	101-370	Burner Complete	3.00

# Coleman Instant-Lite Lanterns, Model Nos. 220, 228

Parts No.	Name of Part	Net Retail Price
Q77	Straight Generator (Gas Tip Marked "J") (199-299)	.20
T656	Valve Stem Complete (118-653)	.45
T657	Valve & Generator Complete (118-657)	1.05
104-210	Jamb Nut	.03
104-905	Gas Tip Cleaning Needle	.06
112-323	Burner Cap & Screens	.15
112-325	Burner Cap Screen	2 for .06
115-136	Filler Plug Gasket	2 for .06
*117-144	Tip Protector & Screen	.15
118B324	Burner Tube	.15
155-218	Gas Tip (Marked "J")	.06
203-441	Ventilator Ball Nut	.06
204-139	Filler Plug Disc, Gasket & Screw	.15
204-140	Filler Plug Complete	.48
**204-485	Ventilator (Porcelain—5¼" Base) (For No. 220)	1.50
216-319	Base Lock Nut	2 for .09
216-326	Mixing Chamber	.90
216-327	Valve Set Screw	.03
216-328	Valve Bracket Wedge	.03
216-340	Ventilator Rod	.06
216-361	Air Intake & Bracket	.90
216-429	Globe Base Rest	.18
216-509	Pump Leather	2 for .09
216-520	Pump Plunger Complete (Less Air Stem)	.60
216-532	Air Stem	.15
216-538	Check Valve	.15
216-654	Valve Body	.36
217-118	Fuel Tip (Marked "P")	.06
*217-144	Tip Protector & Screen	.09
217-148	Fuel Wire Complete (Fuel Tip Marked "P")	.54
217-160	Fuel Nipple	.24
217-165	Fount Complete	5.70
**217-498	Frame & Bail (For No. 220)	.90
220-399	Burner, Generator & Valve Complete Assembled	3.45
**227-480	Ventilator (Porcelain—8¾" Base) (For No. 228)	1.95
**228-498	Frame & Bail (For No. 228)	.90
605-950	Wrench	.15

\*\*For use on Model indicated.



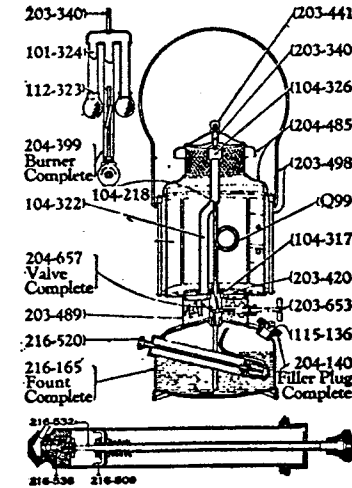
MODEL No. 220  
INSTANT-LITE LANTERN

Tip Protector & Screen



\*NOTE—Tip Protector & Screen Nos. 217-144 and 117-144 are both used on Instant-Lite Lamps and Lanterns, but are not interchangeable. So before ordering, check the Tip Protector & Screen on your Instant-Lite Lamp or Lantern with the illustrations above. Then order by correct number the one that corresponds to Tip Protector & Screen you are now using.

# Parts List for Coleman Quick-Lite Lanterns Model Nos. L227, L427 (1927)

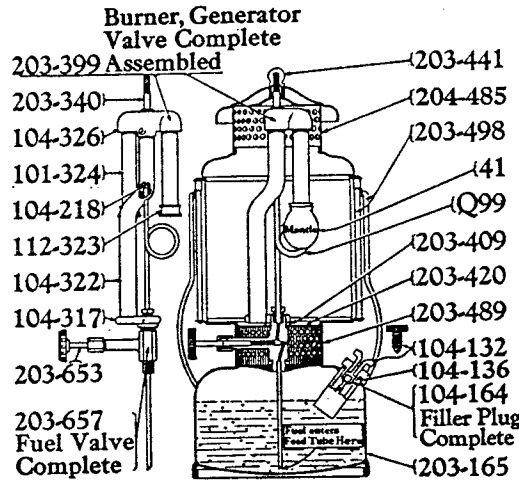


MODEL NO. L427 (1927) QUICK-LITE LANTERN  
(With Fully Concealed Built-In-Pump)

Parts No.	Name of Part	Net Retail Price
Q99	Coil Generator (Gas Tip Marked "Q") (104-299)	.35
101-324	Burner Tube	.15
104-218	Gas Tip (Marked "Q")	.06
104-317	Burner Support Coupling	.18
104-322	Air Intake Tube	.36
104-326	Mixing Chamber	.48
104-905	Gas Tip Cleaning Needle	.06
112-323	Burner Cap & Screens	.15
112-325	Burner Cap Screen	2 for .06
115-136	Filler Plug Gasket	2 for .06
203-340	Ventilator Rod	.06
203-409	Burner Frame Washer	2 for .06
203-420	Baffle Plate	.15
203-441	Ventilator Ball Nut	.06
203-489	Globe Base Rest	.15
*203-498	Frame & Bail (For No. L427 (1927))	.90
203-653	Valve Stem Complete	.30
204-139	Filler Plug Disc, Gasket & Screw	.15
204-140	Filler Plug Complete	.48
204-399	Burner, Generator & Valve Complete Assembled	2.70
*204-485	Ventilator (Porcelain—5¼" Base) (For No. L427 (1927))	1.50
204-657	Fuel Valve Complete	.75
216-165	Fount Complete	5.70
216-509	Pump Leather	2 for .09
216-520	Pump Plunger Complete (Less Air Stem)	.60
216-532	Air Stem	.15
216-538	Check Valve	.15
*227-480	Ventilator (Porcelain—8¾" Base) (For No. L227)	1.95
*227-498	Frame & Bail (For No. L227)	.90
605-950	Wrench	.15

\* For use on Model indicated.

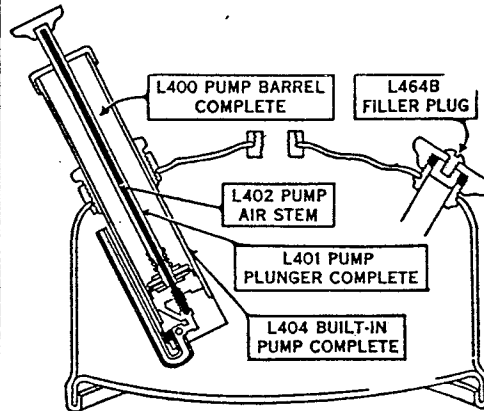
**Parts List for  
Coleman Quick-Lite Lanterns,  
Model Nos. L327, L427 (1926)**



**MODEL No. L327 QUICK-LITE  
LANTERN  
(With Separate Pump)**

Parts No.	Name of Part	Net Retail Price
Q99	Coil Generator (Gas Tip Marked "Q") (104-299)	.35
101-324	Burner Tube	.15
*101-522	Pump	.75
*104-132	Filler Plug Air Stem	.18
*104-136	Filler Plug Gasket	2 for .06
*104-164	Filler Plug Complete	.60
104-218	Gas Tip (Marked "Q")	.06
104-317	Burner Support Coupling	.18
104-322	Air Intake Tube	.36
104-326	Mixing Chamber	.48
104-905	Gas Tip Cleaning Needle	.06
*104-950	Wrench	.15
112-323	Burner Cap & Screens	.15
112-325	Burner Cap Screen	2 for .06
*203-165	Fount Complete	4.50
203-340	Ventilator Rod	.06
203-399	Burner, Generator & Valve Complete Assembled	2.70
203-409	Burner Frame Washer	2 for .06
203-420	Baffle Plate	.15
203-441	Ventilator Ball Nut	.06
203-489	Globe Base Rest	.15
203-498	Frame & Bail	.90
203-653	Valve Stem Complete	.30
203-657	Fuel Valve Complete	.75
204-485	Ventilator (Porcelain 5 3/4" Base)	1.50

Parts No.	Name of Part	Net Retail Price
*216-509	Pump Leather	2 for .09
*Parts cannot be used on Model No. L427 (1926), when equipped with No. 204-165 (L465) Fount Complete.		



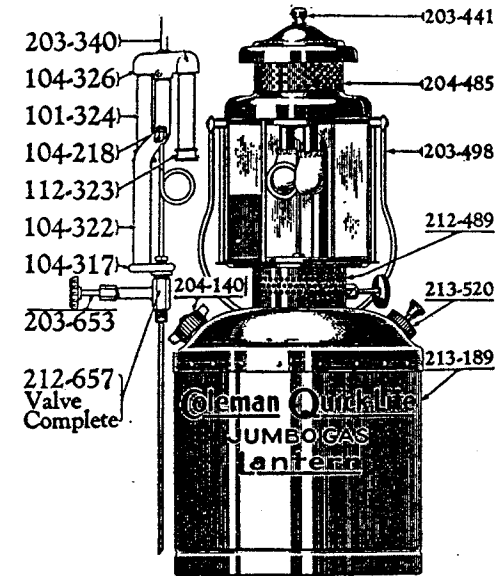
**PARTS FOR MODEL No. L427 (1926)  
QUICK-LITE LANTERN  
(With Semi-Concealed Built-In-Pump)**

Parts No.	Name of Part	Net Retail Price
115-136	Filler Plug Gasket	2 for .06
204-139	Filler Plug Disc, Gasket & Screw	.15
204-140 (L464B)	Filler Plug Complete	.48
*204-165 (L465)	Fount Complete	.60
204-520 (L401)	Pump Plunger Complete (Less Air Stem)	.60
204-524 (L400)	Pump Barrel Complete	.90
204-530 (L404)	Pump Complete	1.50
216-532 (L402)	Air Stem	.15
409-509	Pump Leather	2 for .09
605-950	Wrench	.15

All parts listed under Model No. L327 (except those starred) can be used on Model No. L427 (1926) when equipped with No. 204-165 (L465) Fount Complete.

\*No. 204-165 (L465) Fount Complete is obsolete. Supply Nos. 204-657 and 216-165. See Page No. 11 for illustration Model No. L427 (1927).

**Coleman Lantern, Model No. E20  
(With Built-In-Pump)**

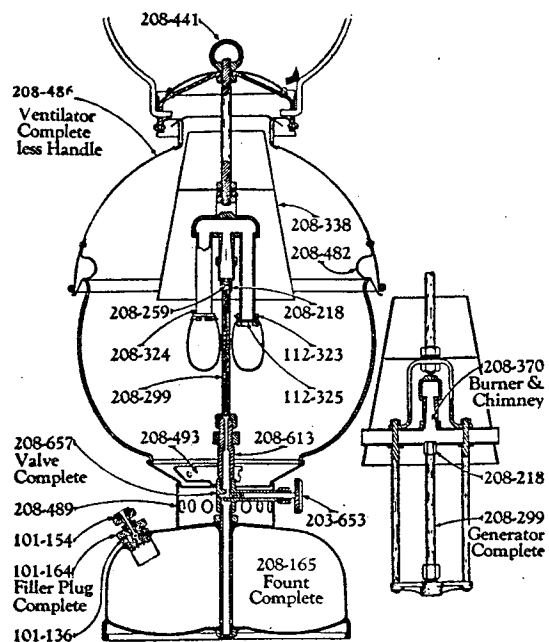


**QUICK-LITE LANTERN, MODEL No. E20**

Parts No.	Name of Part	Net Retail Price
Q99	Coil Generator (Gas Tip Marked "Q" (104-299)	.35
101-324	Burner Tube	.15
*104-132	Filler Plug Air Stem	.18
104-218	Gas Tip (Marked "Q")	.06
104-317	Burner Support Coupling	.18
104-322	Air Intake Tube	.36
104-326	Mixing Chamber	.48
104-905	Gas Tip Cleaning Needle	.06
112-323	Burner Cap & Screens	.15
112-325	Burner Cap Screen	2 for .06
115-136	Filler Plug Gasket	2 for .06
*115-164	Filler Plug Complete	.60
203-340	Ventilator Rod	.06
203-370	Burner (Less Generator & Valve)	1.65
203-409	Burner Frame Washer	2 for .06
203-420	Baffle Plate	.15
203-441	Ventilator Ball Nut	.06
203-498	Frame & Bail	.90
203-653	Valve Stem Complete	.30
**204-139	Filler Plug Disc, Gasket & Screw	.15
**204-140	Filler Plug Complete	.48
204-485	Ventilator (Porcelain—5 3/4" Base)	1.50
*212-189	Fount Complete (With Valve) (See Note No. 1)	.15
212-489	Globe Base Rest	.15
212-657	Fuel Valve Complete	.90
**213-189	Fount Complete (With Valve)	7.50
**213-520	Pump Plunger Complete (Less Air Stem)	.60
**213-530	Pump Complete	2.10
**213-532	Air Stem	.24
**409-509	Pump Leather	2 for .09
*451-504	Pump Barrel Top Plug	.09
*451-509	Pump Leather	.06
*451-522	Jumbo Pump (See Note No. 2)	1.35
605-950	Wrench	.15
*For Model No. E20 With Separate Pump. **For Model No. E20 With Built-In-Pump.		
Note No. 1—No. 212-189 Fount Complete is obsolete. Order No. 213-189 Fount Complete.		

# Coleman Lantern, Model No. HV316

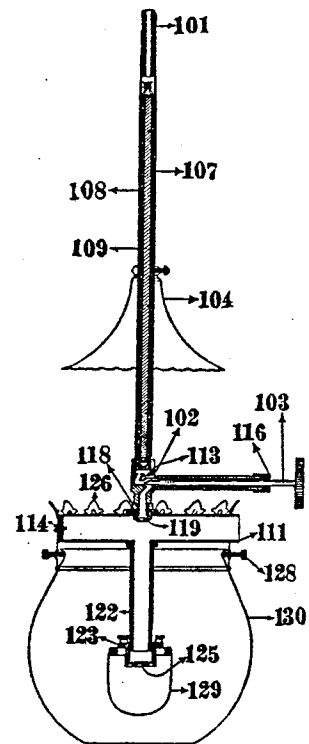
(With Separate Pump)



**TORCH-LITE LANTERN, MODEL No. HV316**

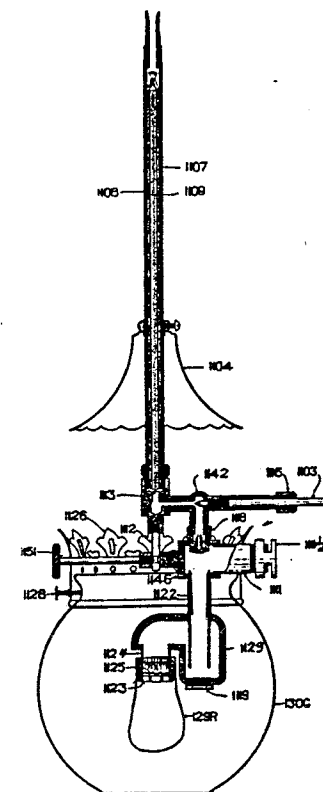
Parts No.	Name of Part	Net Retail Price
101-136	Filler Plug Gasket	2 for .06
101-154	Filler Plug Air Stem	.18
101-164	Filler Plug Complete	.75
101-522	Pump	.75
101-950	Wrench	.18
104-905	Gas Tip Cleaning Needle	.05
112-323	Burner Cap & Screens	.15
112-325	Burner Cap Screen	2 for .06
140-903	Alcohol Torch	.15
203-653	Valve Stem Complete	.30
208-165	Fount Complete	5.70
208-208	Asbestos Wick (Tied)	.06
208-218	Gas Tip (Marked "G")	.15
208-259	Gas Tip Screen	2 for .06
208-299	Generator (4½" Long) (Gas Tip Marked "G")	.45
208-324	Burner Tube	.15
208-326	Mixing Chamber	.45
208-338	Chimney	.90
208-370	Burner, Generator, Valve & Chimney Complete Assembled	3.45
208-441	Hanger Ring	.09
208-473	Bail & Handle	.30
208-482	Globe Spring	.06
208-486	Ventilator Dome (Less Handle)	4.80
208-489	Globe Base Rest	.24
208-493	Globe Base & Door	.90
208-613	Connection (Valve to Generator)	.30
208-657	Fuel Valve Complete	.90
216-509	Pump Leather	2 for .09

# Coleman System Lamps, Model Nos. 1 and 11



**LAMP MODEL No. 1**

Parts No.	Name of Part	Net Retail Price
140-903	Alcohol Torch	.15
102-3-13-16	Fuel Valve Complete	1.05
103-16	Valve Stem Complete	.30
107-8-9	Generator Barrel & Asbestos Wick	1.20
108	Asbestos Wick (Tied)	.18
118	Gas Tip (Marked "1")	.30
122	Burner Tube	.15
123-25	Burner Cap & Screens	.30
199	Generator Barrel, Wick, Fuel Valve & Gas Tip (Gas Tip Marked "1")	2.70



**LAMP MODEL No. 11**

Parts No.	Name of Part	Net Retail Price
140-903	Alcohol Torch	.15
1103-16	Valve Stem Complete	.30
1103-16-42	Fuel Valve Complete	1.20
1107-8-9	Generator Barrel & Asbestos Wick	1.20
1108	Asbestos Wick (Tied)	.18
1118	Gas Tip (Marked "11")	.30
1123-25	Burner Cap & Screens	.24
1124	Burner Tube	.15
1126	Globe Holder Complete	1.05
1129-19	Mixing Chamber	.75
1146-11	Air Intake Complete	.75
1199	Generator Barrel, Wick, Fuel Valve & Gas Tip (Gas Tip Marked "11")	2.70

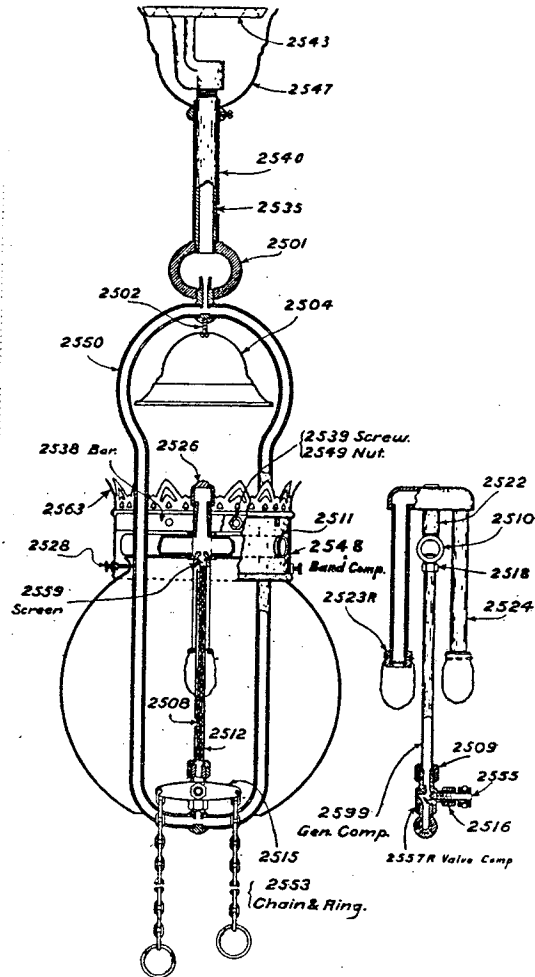


Coleman Iron, Model No. 4

(INSTANT LIGHTING)

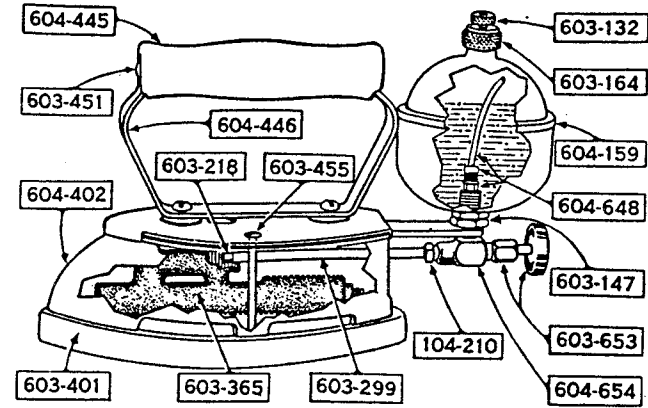
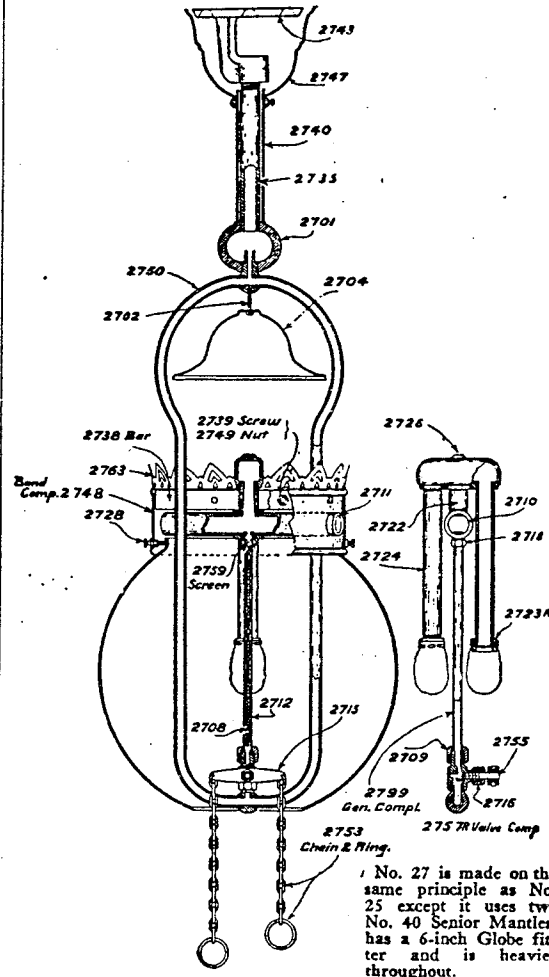
LAMP MODEL No. 25

Parts No.	Name of Part	Net Retail Price
140-903	Alcohol Torch	.15
2501	Connecting Ring (140-401)	.30
2504	Heat Baffle (140-904)	.36
2508	Asbestos Wick (Tied) (140-208)	.15
2518	Gas Tip (Marked "25") (140-218)	.15
2523R	Burner Cap & Screens (112-323)	.15
2524	Burner Tube (140-324)	.24
2526	Mixing Chamber (208-326)	.45
2535	Pipe Hanger (5" Long) (112-438)	.12
2540	Casing (4½" Long) (112-444)	.18
2543	Ceiling Plate (112-443)	.36
2547	Canopy & Screw (112-419)	.45
2553	Chain & Ring (6" Long) (140-953)	.12
2555	Valve Stem Complete (140-651)	.30
2557R	Fuel Valve Complete (With Lever) (140-660)	.90
2599	Generator (6¼" Long) (Gas Tip Marked "25") (140-299)	.45



LAMP MODEL No. 27

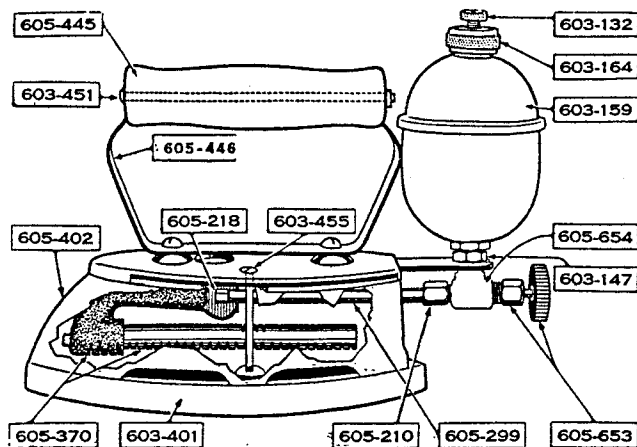
Parts No.	Name of Part	Net Retail Price
140-903	Alcohol Torch	.15
2701	Connecting Ring (140-401)	.30
2704	Heat Baffle (140-904)	.36
2708	Asbestos Wick (Tied) (142-208)	.15
2718	Gas Tip (Marked "27") (142-218)	.15
2723R	Burner Cap & Screens (142-323)	.18
2724	Burner Tube (142-324)	.24
2726	Mixing Chamber (142-326)	.60
2735	Pipe Hanger (5" Long) (112-438)	.12
2740	Casing (4½" Long) (112-444)	.18
2743	Ceiling Plate (112-443)	.36
2747	Canopy & Screw (112-419)	.45
2753	Chain & Ring (18" Long) (142-953)	.18
2755	Valve Stem Complete (140-651)	.30
2757R	Fuel Valve Complete (With Lever) (140-660)	.90
2799	Generator (7¾" Long) (Gas Tip Marked "27") (142-299)	.48



Parts No.	Name of Part	Net Retail Price
104-210	Jamb Nut	.03
216-509	Pump Leather	2 for .09
409-327	Stove Bolt (⅜" x ⅜" R. H.)	.03
410-585	Pump	.45
603-132	Filler Plug Air Stem	.18
603-136	Filler Plug Gasket	2 for .06
603-139	Filler Plug Core & Gasket	.18
603-147	Lock Nut	.06
603-164	Filler Plug Complete	.48
603-218	Gas Tip (Marked "I")	.06
603-299	Generator, Cleaning Needle & Holder (Gas Tip Marked "I")	.36
603-326	Burner Manifold (Less Plug)	.90
603-329	Burner Plug	.06
603-365	Burner Manifold & Plug	.96
603-401	Base	1.20
603-406	Lid Plate (Lower)	.36
603-407	Lid Plate (Upper)	.45
603-410	Fount Bracket	.12
603-415	Locator Pin	2 for .06
603-439	Pilot Flame Baffle Plate	.09
603-440	Stand	.24
603-451	Handle Bolt (⅜" x 5" Carriage)	.06
603-455	Lid Plate to Base Screw (1¼" - No. 12 O. H. M. S.)	.06
603-457	Stove Bolt (½" x 1½" R. H.)	.03
603-638	Cleaning Needle & Holder	.15
603-653	Generator Valve Stem & Pack Nut (Less Needle & Holder)	.45
604-159	Fount (Less Filler Plug)	1.35
604-189	Fount, Valve & Generator Complete Assembled	3.00
604-402	Body (Blue Porcelain)	.90
604-445	Iron Handle	.21
604-446	Handle Bracket	.15
604-604	Air Wire	2 for .09
604-618	Fuel Intake (Marked "AZ")	.09
604-648	Fuel Intake & Air Wire (Fuel Intake Marked "AZ")	.30
604-654	Valve Body	.54
604-657	Generator, Valve, Fuel Intake & Air Wire Complete Assembled	1.50
604-659	Fuel Intake Protector & Screen	.15
604-930	Fuel Measuring Cup	.45
605-950	Wrench	.15

# Coleman Iron, Model No. 5

(TORCH GENERATING)

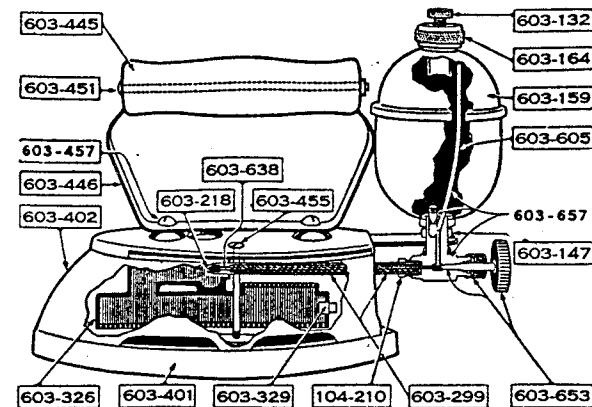


Parts No.	Name of Part	Net Retail Price
216-509	Pump Leather	2 for .09
409-327	Stove Bolt ( $\frac{1}{8}$ "x $\frac{3}{8}$ " R. H.)	.03
410-585	Pump	.45
603-132	Filler Plug Air Stem	.18
603-136	Filler Plug Gasket	2 for .06
603-139	Filler Plug Core & Gasket	.18
603-147	Lock Nut	.06
603-159	Fount (Less Filler Plug)	1.26
603-164	Filler Plug Complete	.48
603-401	Base	1.20
603-406	Lid Plate (Lower)	.36
603-407	Lid Plate (Upper)	.45
603-410	Fount Bracket	.12
603-415	Locator Pin	2 for .06
603-439	Pilot Flame Baffle Plate	.09
603-440	Stand	.24
603-451	Handle Bolt ( $\frac{1}{8}$ "x5" Carriage)	.06
603-455	Lid Plate to Base Screw ( $1\frac{1}{4}$ "—No. 12 O. H. M. S.)	.06
603-457	Stove Bolt ( $\frac{1}{4}$ "x $1\frac{1}{8}$ " R. H.)	.03
603-940	Funnel	.18
605-189	Fount, Valve & Generator Complete Assembled	2.85
605-210	Jamb Nut	.03
605-218	Gas Tip (Marked "D")	.12
605-299	Generator, Cleaning Needle & Holder (Gas Tip Marked "D")	.39
605-370	Burner Manifold & Burner Tube Complete Assembled	.90
605-402	Body (Green Porcelain)	.90
605-445	Iron Handle	.21
605-446	Handle Bracket	.15
605-638	Cleaning Needle & Holder	.15
605-653	Generator Valve Stem Complete (Less Cleaning Needle & Holder)	.60
605-654	Valve Body	.60
605-657	Valve & Generator Complete Assembled	1.50
605-904	Alcohol Bottle (Only)	.09
605-913	Alcohol Torch (Only)	.15
605-920	Alcohol Torch & Bottle Complete	.24
605-950	Wrench	.15

Parts List for

# Coleman Iron, Model No. 3

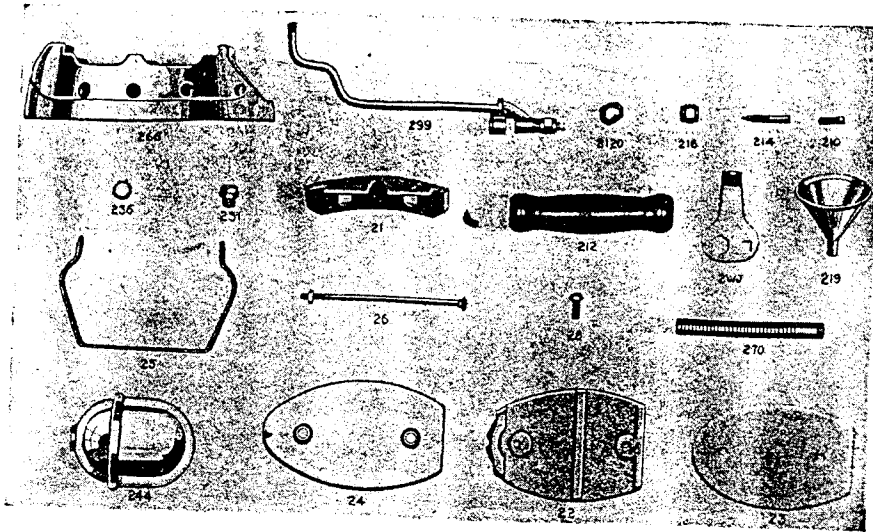
(INSTANT LIGHTING)



Parts No.	Name of Part	Net Retail Price
104-210	Jamb Nut	.03
216-509	Pump Leather	2 for .09
409-327	Stove Bolt ( $\frac{1}{8}$ "x $\frac{3}{8}$ " R. H.)	.03
410-585	Pump	.45
603-132	Filler Plug Air Stem	.18
603-136	Filler Plug Gasket	2 for .06
603-139	Filler Plug Core & Gasket	.18
603-147	Lock Nut	.06
603-159	Fount (Less Filler Plug)	1.26
603-164	Filler Plug Complete	.48
*603-189	Fount, Valve & Generator Complete Assembled (See Note 4)	.06
603-218	Gas Tip (Marked "I")	.36
603-299	Generator, Cleaning Needle & Holder (Gas Tip Marked "I")	.90
603-326	Burner Manifold (Less Plug)	.06
603-329	Burner Plug	.96
603-365	Burner Manifold & Plug	1.20
603-401	Base	.36
*603-402	Body (See Note 1)	.45
603-406	Lid Plate (Lower)	.12
603-407	Lid Plate (Upper)	.06
603-410	Fount Bracket	2 for .09
603-415	Locator Pin	.24
603-439	Pilot Flame Baffle Plate	.06
603-440	Stand	.15
*603-445	Iron Handle (See Note 2)	.06
603-446	Handle Bracket	.06
603-451	Handle Bolt ( $\frac{1}{8}$ "x5" Carriage)	.06
603-455	Lid Plate to Base Screw ( $1\frac{1}{4}$ "—No. 12 O. H. M. S.)	.03
603-457	Stove Bolt ( $\frac{1}{4}$ "x $1\frac{1}{8}$ " R. H.)	.03
*603-605	Air Wire (See Note 3)	.15
603-638	Cleaning Needle & Holder	.09
603-644	Fuel Intake & Screen	.45
603-653	Generator Valve Stem & Pack Nut (Less Needle & Holder)	.18
*603-657	Generator, Valve, Fuel Intake & Air Wire Complete Assembled (See Note 5)	3.45
603-940	Funnel	.90
604-190	Assembly (Includes 604-189 Fount, Valve & Generator Complete Assembled, 604-930 Fuel Measuring Cup and Directions For Model No. 4 Iron)	.21
604-402	Body (Blue Porcelain)	.09
604-445	Iron Handle	2 for .15
604-604	Air Wire	1.50
604-657	Generator, Valve, Fuel Intake & Air Wire Complete Assembled	.15
605-950	Wrench	.15

Note 1—Supply No. 604-402. Note 3—Supply No. 604-604. Note 5—Supply No. 604-657  
 Note 2—Supply No. 604-445. Note 4—Supply No. 604-190 \* Obsolete.

# Coleman irons, Model Nos. 1 and 2



PARTS FOR COLEMAN IRON, MODEL No. 2

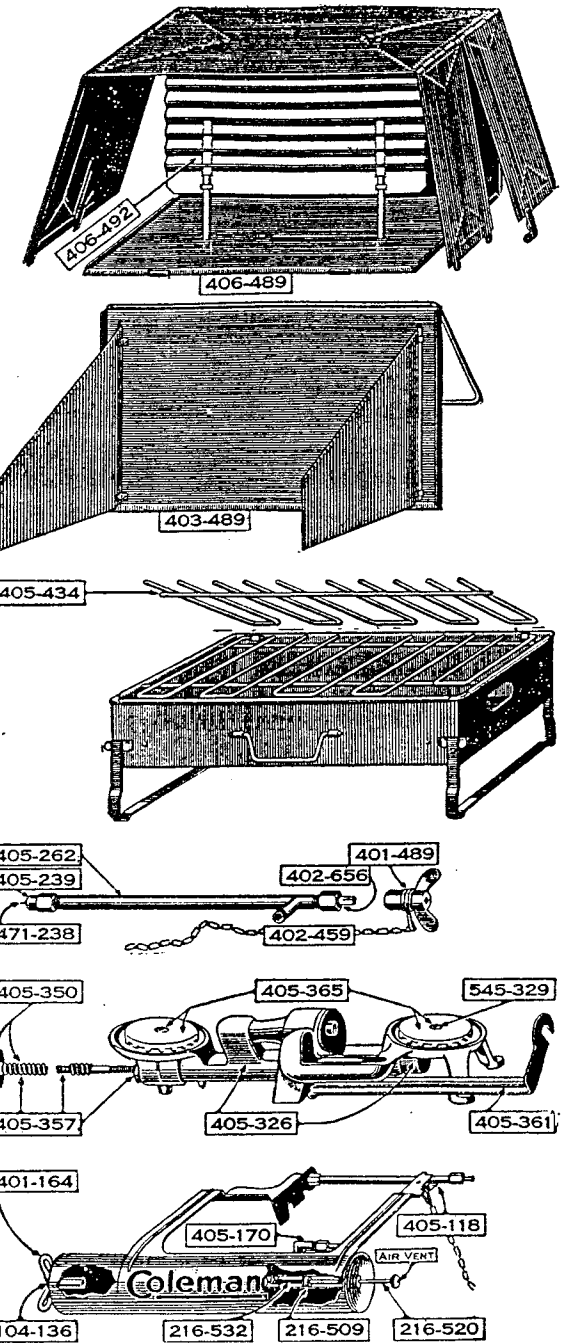
Parts Nos.		Name of Part	Net Retail Price
No. 1	No. 2		
New No.	Old No.	New No.	Old No.
210	6	210—Lid Set Screw	.12
600-399		—Burner, Valve, Generator & Fount Complete Assembled	3.45
600-657	2	—Valve & Generator Complete Assembled	1.50
601-136	7	601-136 236—Filler Plug Gasket	2 for .06
601-159	14	601-159 244—Fount (Less Filler Plug)	1.26
601-164	8	601-164 231—Filler Plug Complete	.24
601-370	12	601-370 270—Burner	.60
		601-399 222—Burner, Valve, Generator & Fount Complete Assembled	3.45
601-614	5	601-614 214—Valve Stem	.24
601-616	4	601-616 216—Pack Nut	.24
601-620	3	601-620 2120—Valve Stem Packing	2 for .09
601-653		601-653 —Valve Stem Complete	.60
		601-657 299—Valve & Generator Complete Assembled	1.50
601-950	11	601-950 2WJ—Wrench	.15
603-440		603-440 220—Stand	.24
603-446	15	603-446 25—Handle Bracket	.15
603-451	13	603-451 26—Handle Bolt (1/8" x 5" Carriage)	.06
603-940	19	603-940 219—Funnel	.18
604-445	10	604-445 212—Iron Handle	.21
	1	266—Body Base	1.32
	9	21—Deflector Plate	.30
	16B	22—Lid Plate (Lower)	.45
	16T	24—Lid Plate (Upper)	.36
	17	23—Lid Plate Asbestos Liner	.18
	18	28—Bolt (Handle Bracket to Lid Plate (Lower) (1/2" x 3/4" U. S. S. R. H.))	.12
		27—Lid Extension Arm	.12

Model No. 1 was equipped with black Handle and without holes in the side of the Body Base. All parts listed under New Nos., both for Model Nos. 1 and 2, are interchangeable with the following exceptions: Model No. 1, Part Nos. 600-399 and 600-657; Model No. 2, Part Nos. 601-399 and 601-657. All parts listed under Old Nos., both for Model Nos. 1 and 2, only, are not interchangeable, with following exceptions: Model No. 1, Part No. 18 Model No. 2, Part No. 28.

# Coleman Camp Stoves, Model Nos. 2D and 9D

Parts No.	Name of Part	Net Retail Price
104-136	Filler Plug Gasket	2 for .06
216-509	Pump Leather	2 for .09
216-520	Pump Plunger Complete (Less Air Stem)	.60
216-532	Air Stem	.15
216-538	Check Valve	.15
401-164	Filler Plug Complete	.36
*401-457	Oven Baffle (2D)	.15
401-489	Key & Ring (Only)	.09
402-259	Generator Screen	.06
402-459	Key Chain (Only)	.09
402-490	Key, Ring & Chain	.15
402-656	Generator Valve Stem Complete	.45
*403-489	Lid, Baffles & Support Assembled (9D)	1.80
405-118	Generator Clamp, (With Bolt & Nut)	.18
405-170	Fuel Tube (5 3/8" Long)	.36
405-175	Tank & Generator Complete Assembled	6.00
405-239	Gas Tip & Holder (Gas Tip Marked "B")	.15
405-262	Generator (Gas Tip Marked "B")	1.20
405-315	Rocker Arm Pin	.06
405-326	Burner Manifold	1.80
405-357	Auxiliary Burner Valve Stem Complete	.75
405-361	Rocker Arm	.36
405-365	Burner Cap (2 Piece, Bolt & Nut)	.30
405-370	Burner Complete Assembled (Manifold, Caps, Auxiliary Valve, Rocker Arm & Pin)	3.00
*405-434	Grate (9D)	.75
*406-434	Grate (2D)	1.05
*406-489	Oven Complete (Less Oven Rack & Baffle) (2D)	3.00
*406-492	Oven Rack (2D)	.60
471-238	Cleaning Needle & Holder	2 for .09

\*For use on Model indicated.



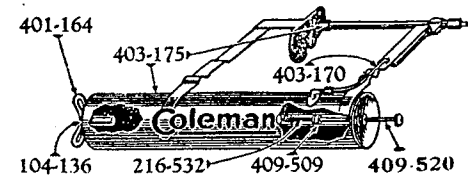
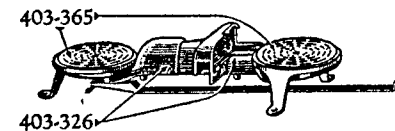
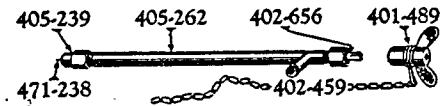
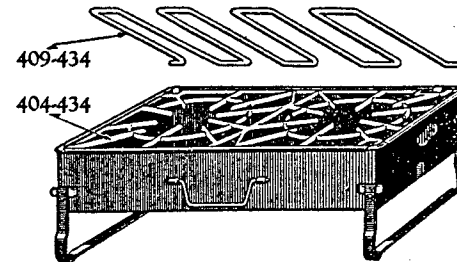
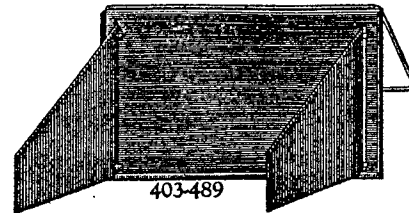
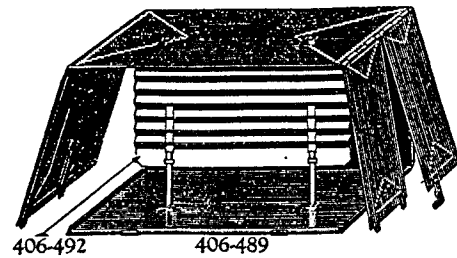
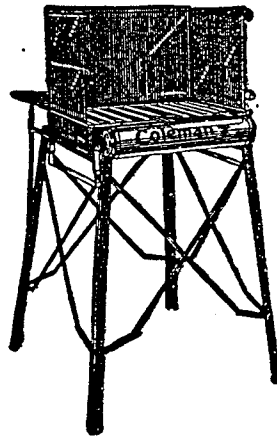
# Coleman Camp Stoves, Model Nos. 2C and 9C

Parts No.	Name of Part	Net Retail Price
104-136	Filler Plug Gasket..... 2 for	.06
216-532	Air Stem .....	.15
401-164	Filler Plug Complete.....	.36
*401-457	Oven Baffle (2C).....	.15
401-489	Key & Ring (Only).....	.09
402-259	Generator Screen.....	.06
402-328	Auxiliary Valve Core.....	.24
402-329	Auxiliary Valve Shift.....	.18
402-459	Key Chain (Only).....	.09
402-490	Key, Ring & Chain.....	.15
402-656	Generator Valve Stem Complete.....	.45
403-170	Fuel Tube (8 $\frac{1}{8}$ " Long).....	.36
403-175	Tank & Generator Complete Assembled.....	6.00
403-321	Adapter Ring (For Burner).....	.30
403-326	Burner Manifold.....	1.80
403-365	Burner Cap (3 Piece, Bolt & Nut).....	.60
*403-489	Lid, Baffles & Support Assembled (9C).....	1.80
*404-434	Grate (2C).....	1.20
405-239	Gas Tip & Holder (Gas Tip Marked "B").....	.15
405-262	Generator (Gas Tip Marked "B").....	1.20
*406-489	Oven Complete (Less Oven Rack & Baffle) (2C).....	3.00
*406-492	Oven Rack (2C).....	.60
409-118	Generator Clamp (With Bolt & Nut).....	.18
*409-434	Grate (9C).....	.48
409-509	Pump Leather..... 2 for	.09
409-520	Pump Plunger Complete (Less Air Stem).....	.45
471-238	Cleaning Needle & Holder..... 2 for	.09

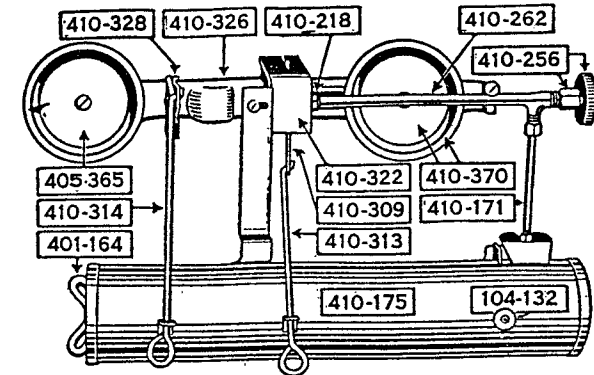
**Camp Stove Folding High Stand**

The Coleman Camp Stove Folding High Stand is a Universal High Stand that can be used for practically every type of Camp Stove. It is of single-unit all-steel construction. When set up all folding joints lock automatically thus insuring a positive rigid support. Folds up to 2 $\frac{1}{2}$  x 2 x 26 $\frac{1}{2}$  inches. Weight, net, 7 $\frac{1}{2}$  pounds.

No. 10—Camp Stove High Stand (591-499)..... 2.40



# Coleman Gypsy Camp Stove, Model No. 10

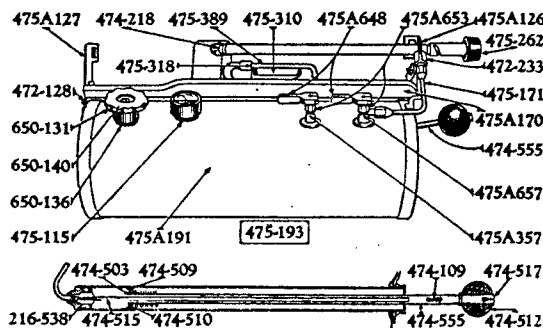
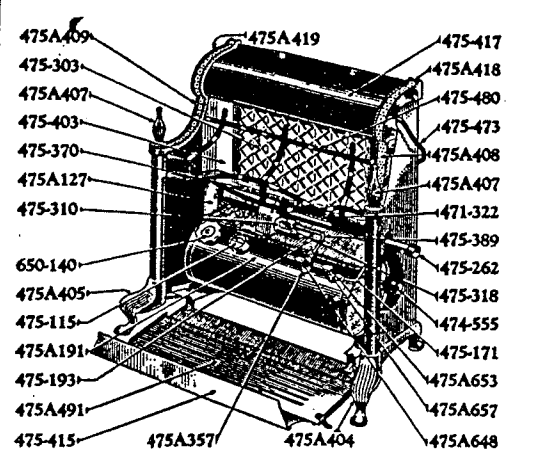


Parts No.	Name of Part	Net Retail Price
102-143	Stove Bolt ( $\frac{1}{8}$ " x $\frac{1}{2}$ " R. H.).....	.03
104-132	Filler Plug Air Stem.....	.18
104-136	Filler Plug Gasket..... 2 for	.06
216-509	Pump Leather..... 2 for	.09
305-443	Stove Bolt ( $\frac{1}{8}$ " x $\frac{3}{8}$ " O. H.).....	.03
401-164	Filler Plug Complete.....	.36
405-365	Burner Cap (2 Piece, Bolt & Nut).....	.30
410-171	Fuel Tube (3 $\frac{1}{8}$ " Long).....	.24
410-175	Tank (With Filler Plug, Air Stem & Tank Bracket).....	3.00
410-218	Gas Tip (Marked "GS").....	.15
410-256	Generator Valve Stem Complete.....	.60
410-262	Generator (Gas Tip Marked "GS").....	1.20
410-309	Hot-Blast Deflector.....	.12
410-313	Hot-Blast Deflector Lever.....	.12
410-314	Auxiliary Burner Control Lever.....	.12
410-322	Mixing Chamber Shield.....	.15
410-324	Stove Bolt ( $\frac{1}{8}$ " x $\frac{1}{4}$ " R. H.).....	.03
410-326	Burner Manifold.....	1.80
410-328	Auxiliary Burner Control.....	.09
410-370	Burner Complete Assembled (Manifold, Caps & Auxiliary Burner Control).....	2.70
410-488	Cabinet, Lid, Baffles & Grate.....	3.00
410-585	Pump.....	.45
471-238	Cleaning Needle & Holder..... 2 for	.09
545-329	Stove Bolt ( $\frac{1}{8}$ " x $\frac{1}{2}$ " F. H.)..... 2 for	.06

# Coleman Radiant Heater, Model No. 5A

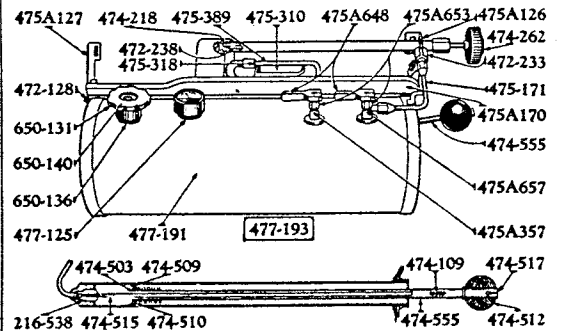
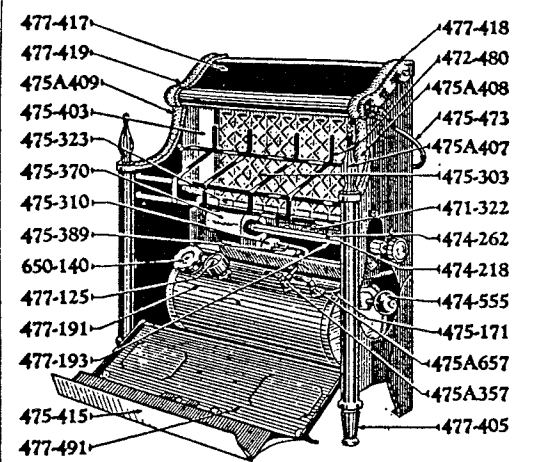
# Coleman Radiant Heater, Model No. 7

Parts No.	Name of Part	Net Retail Price
104 - 905	Gas Tip Cleaning Needle	.06
117 - 144	Tip Protector & Screen	.15
216 - 538	Check Valve	.15
471 - 322	Sub-flame Burner Cap (5/8")	2 for .09
472 - 128	Stove Bolt (1/8"x16" R. H.)	.09
472 - 233	Generator Clamps, Bolt & Nut	.12
472 - 435	Top Tie Rod	.09
472 - 436	Top Tie Rod Nut	.03
474 - 109	Air Stem Spring	.03
474 - 218	Gas Tip (Marked "4H")	.12
474 - 503	Hexagon Brass Nut (3/8" No. 27)	.06
474 - 509	Pump Leather	2 for .09
474 - 510	Pump Plunger Lower Washer	.03
474 - 512	Pump Handle	.09
474 - 515	Air Stem	.30
474 - 517	Handle Nut	.06
474 - 555	Pump Plunger Complete (Less Air Stem)	1.20
475 - 115	Combination Fuel & Air Gauge	1.80
475 - 118	Fuel Tip (Marked "E")	.06
475A126	Tank Bracket (Right)	.15
475A127	Tank Bracket (Left)	.15
475A170	Drip Pan (Only)	.60
475 - 171	Fuel Tube (3 3/8" Long)	.30
475A191	Tank Complete (With Fittings)	9.30
475 - 193	Tank, Drip Pan & Generator Complete Assembled	12.60
475 - 262	Thermo Safety Generator (Gas Tip Marked "4H")	3.30
475 - 303	Radiant	.30
475 - 310	Preheater Pan	.45
475 - 318	Gas Tip (Marked "S")	.06
475 - 323	Main Burner Cap (7/8")	2 for .09
475A357	Preheater Tank Valve Complete (Fuel Tip Marked "E")	1.20
475 - 370	Burner Manifold (With Main & Sub-flame Burner Caps)	3.00
475 - 389	Preheater Generator (Gas Tip Marked "S")	.30
475 - 403	Radiant Back (Aluminum)	1.05
475A404	Foot (Right)	.75
475A405	Foot (Left)	.75
475A407	Post Top	.24
475A408	Frame Trim (Right)	.45
475A409	Frame Trim (Left)	.45
475 - 410	Post Bolt	.09
475 - 415	Door Trim	.60
475 - 417	Top (Porcelain)	1.20
475A418	Top Trim (Right)	.45
475A419	Top Trim (Left)	.45



Parts No.	Name of Part	Net Retail Price
475 - 420	Radiant Holder (Top)	.36
475 - 473	Bail	.30
475 - 480	Guard	1.05
475A491	Door Complete	2.25
475A648	Indicator Handle & Screw	.15
475A653	Valve Stem (Less Indicator Handle & Screw)	.30
475A657	Tank Fuel Valve Complete	1.05
605 - 950	Wrench	.15
650 - 131	Filler Plug Cap (Only)	.45
650 - 135	Filler Plug Disc, Gasket & Screw	.30
650 - 136	Filler Plug Gasket	2 for .09
650 - 140	Filler Plug Complete	.75

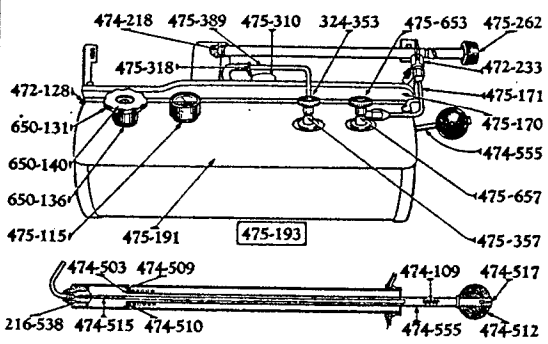
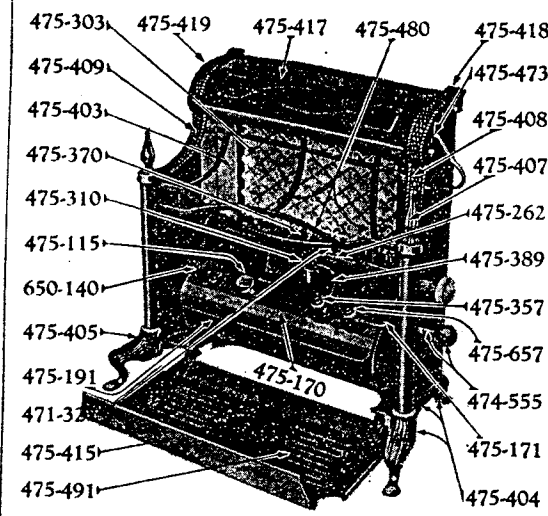
Parts No.	Name of Part	Net Retail Price
104 - 905	Gas Tip Cleaning Needle	.06
117 - 144	Tip Protector & Screen	.15
216 - 538	Check Valve	.15
471 - 322	Sub-flame Burner Cap (5/8")	2 for .09
472 - 128	Stove Bolt (1/8"x16" R. H.)	.09
472 - 233	Generator Clamps, Bolt & Nut	.12
472 - 238	Cleaning Needle & Holder	2 for .09
472 - 420	Radiant Holder (Top)	.36
472 - 435	Top Tie Rod	.09
472 - 436	Top Tie Rod Nut	.03
472 - 480	Guard	1.05
474 - 109	Air Stem Spring	.03
474 - 218	Gas Tip (Marked "4H")	.12
474 - 262	Generator (Gas Tip Marked "4H")	2.40
474 - 503	Hexagon Brass Nut (3/8" No. 27)	.06
474 - 509	Pump Leather	2 for .09
474 - 510	Pump Plunger Lower Washer	.03
474 - 512	Pump Handle	.09
474 - 515	Air Stem	.30
474 - 517	Handle Nut	.06
474 - 555	Pump Plunger Complete (Less Air Stem)	1.20
475 - 118	Fuel Tip (Marked "E")	.06
475A126	Tank Bracket (Right)	.15
475A127	Tank Bracket (Left)	.15
475A170	Drip Pan (Only)	.60
475 - 171	Fuel Tube (3 3/8" Long)	.30
475 - 303	Radiant	.30
475 - 310	Preheater Pan	.45
475 - 318	Gas Tip (Marked "S")	.06
475 - 323	Main Burner Cap (7/8")	2 for .09
475A357	Preheater Tank Valve Complete (Fuel Tip Marked "E")	1.20
475 - 370	Burner Manifold (With Main & Sub-flame Burner Caps)	3.00
475 - 389	Preheater Generator (Gas Tip Marked "S")	.30
475 - 403	Radiant Back (Aluminum)	1.05
475A407	Post Top	.24
475A408	Frame Trim (Right)	.45
475A409	Frame Trim (Left)	.45
475 - 415	Door Trim	.60
475 - 473	Bail	.30
475A648	Indicator Handle & Screw	.15
475A653	Valve Stem (Less Indicator Handle & Screw)	.30
475A657	Tank Fuel Valve Complete	1.05
477 - 125	Air Gauge	1.20



Parts No.	Name of Part	Net Retail Price
477 - 191	Tank Complete (With Fittings)	9.30
477 - 193	Tank, Drip Pan & Generator Complete Assembled	12.60
477 - 405	Front Foot	.30
477 - 410	Post Bolt	.09
477 - 417	Top (Porcelain)	1.20
477 - 418	Top Trim (Right)	.45
477 - 419	Top Trim (Left)	.45
477 - 491	Door Complete	2.40
605 - 950	Wrench	.15
650 - 131	Filler Plug Cap (Only)	.45
650 - 135	Filler Plug Disc, Gasket & Screw	.30
650 - 136	Filler Plug Gasket	2 for .09
650 - 140	Filler Plug Complete	.75

# Coleman Radiant Heater, Model No. 5

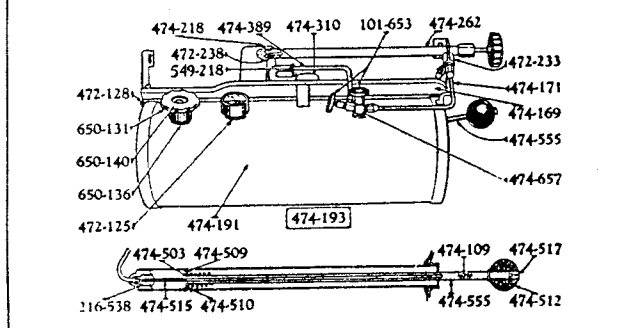
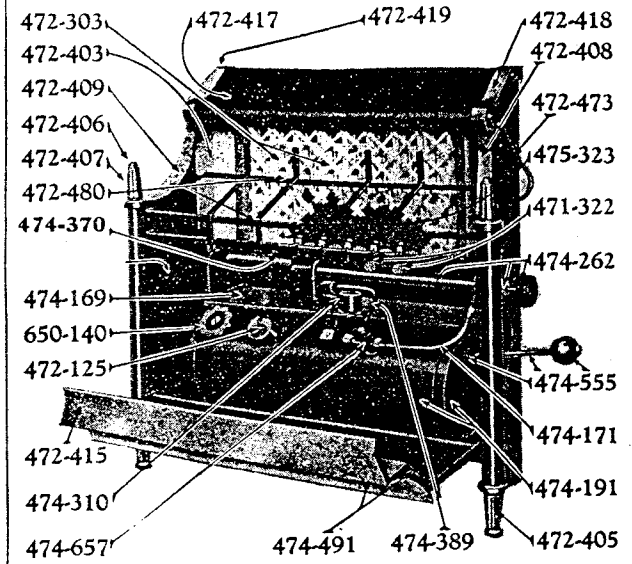
Parts No.	Name of Part	Net Retail Price
104-905	Gas Tip Cleaning Needle	.06
117-144	Tip Protector & Screen	.15
216-538	Check Valve	.15
324-353	Preheater Tank Valve Stem Complete	.30
471-322	Sub-flame Burner Cap (5/8")	2 for .09
472-128	Stove Bolt (3/8"x16" R. H.)	.09
472-233	Generator Clamps, Bolt & Nut	.12
472-435	Top Tie Rod	.09
472-436	Top Tie Rod Nut	.03
474-109	Air Stem Spring	.03
474-218	Gas Tip (Marked "4H")	.12
474-503	Hexagon Brass Nut (3/8" No. 27)	.06
474-509	Pump Leather	2 for .09
474-510	Pump Plunger Lower Washer	.03
474-512	Pump Handle	.09
474-515	Air Stem	.30
474-517	Handle Nut	.06
474-555	Pump Plunger Complete (Less Air Stem)	1.20
475-115	Combination Fuel & Air Gauge	1.80
475-118	Fuel Tip (Marked "E")	.06
475-170	Drip Pan, Brackets, Gen. Clamps, Bolts & Nuts	1.80
475-171	Fuel Tube (3 3/8" Long)	.30
475-191	Tank Complete (With Fittings)	9.30
475-193	Tank, Drip Pan & Generator Complete Assembled	12.60
475-262	Thermo Safety Generator (Gas Tip Marked "4H")	3.30
475-303	Radiant	.30
475-310	Preheater Pan	.45
475-318	Gas Tip (Marked "S")	.06
475-323	Main Burner Cap (7/8")	2 for .09
475-357	Preheater Tank Valve Complete (Fuel Tip Marked "E")	1.20
475-370	Burner Manifold (With Main & Sub-flame Burner Caps)	3.00
475-389	Preheater Generator (Gas Tip Marked "S")	.30
475-403	Radiant Back (Aluminum)	1.05
475-404	Foot (Right)	.75
475-405	Foot (Left)	.75
475-407	Post Top	.24
475-408	Frame Trim (Right)	.45
475-409	Frame Trim (Left)	.45
475-410	Post Bolt	.09



Parts No.	Name of Part	Net Retail Price
475-415	Door Trim	.60
475-417	Top (Porcelain)	1.20
475-418	Top Trim (Right)	.45
475-419	Top Trim (Left)	.45
475-420	Radiant Holder (Top)	.36
475-473	Bail	.30
475-480	Guard	1.05
475-491	Door Complete	2.25
475-653	Tank Fuel Valve Stem Complete	.30
475-657	Tank Fuel Valve Complete	.75
695-950	Wrench	.15
650-131	Filler Plug Cap (Only)	.45
650-135	Filler Plug Disc, Gasket & Screw	.30
650-136	Filler Plug Gasket	2 for .09
650-140	Filler Plug Complete	.75

# Coleman Radiant Heater, Model No. 4

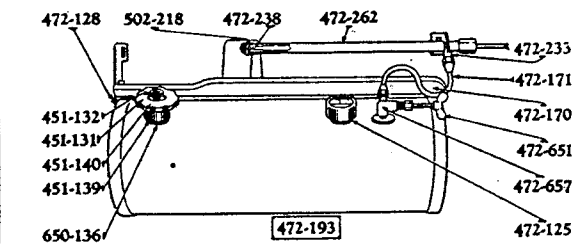
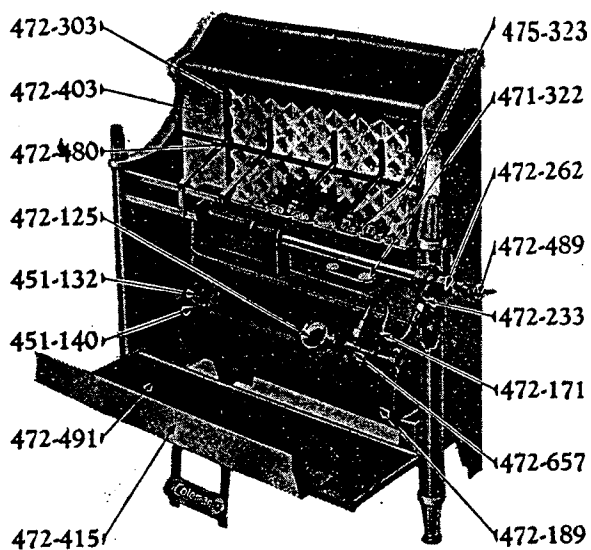
Parts No.	Name of Part	Net Retail Price
101-653	Valve Stem Complete	.30
104-905	Gas Tip Cleaning Needle	.06
216-538	Check Valve	.15
471-322	Sub-flame Burner Cap (5/8")	2 for .09
472-125	Air Gauge	1.20
472-128	Stove Bolt (3/8"x16" R. H.)	.09
472-233	Generator Clamps, Bolt & Nut	.12
472-238	Cleaning Needle & Holder	2 for .09
472-303	Radiant	.24
472-403	Radiant Back (Aluminum)	2.10
472-405	Front Foot	.30
472-406	Post Top Cap	.18
472-407	Post Top	.18
472-408	Frame Trim (Right)	.60
472-409	Frame Trim (Left)	.60
472-410	Post Bolt	.09
472-415	Door Trim	1.50
472-417	Top (Porcelain)	1.20
472-418	Top Trim (Right)	.60
472-419	Top Trim (Left)	.60
472-420	Radiant Holder (Top)	.36
472-423	Door Handle Name Plate	.36
472-435	Top Tie Rod	.09
472-436	Top Tie Rod Nut	.03
472-473	Bail	.24
472-480	Guard	1.05
474-109	Air Stem Spring	.03
474-169	Drip Pan & Brackets	1.20
474-171	Fuel Tube (4 5/8" Long)	.30
474-191	Tank Complete (With Fittings)	9.30
474-193	Tank, Drip Pan & Generator Complete Assembled	12.60
474-218	Gas Tip (Marked "4H")	.12
474-262	Generator (Gas Tip Marked "4H")	2.40
474-310	Preheater Pan	.60
474-370	Burner Manifold (With Main & Sub-flame Burner Caps)	3.00
474-389	Preheater Generator (Gas Tip Marked "N")	.30
474-491	Door Complete	3.00



Parts No.	Name of Part	Net Retail Price
474-503	Hexagon Brass Nut (3/8" No. 27)	.06
474-509	Pump Leather	2 for .09
474-510	Pump Plunger Lower Washer	.03
474-512	Pump Handle	.09
474-515	Air Stem	.30
474-517	Handle Nut	.06
474-555	Pump Plunger Complete (Less Air Stem)	1.20
474-657	Tank Fuel & Preheater Valve Complete	1.35
475-323	Main Burner Cap (7/8")	2 for .09
549-218	Gas Tip (Marked "N")	.06
605-950	Wrench	.15
650-131	Filler Plug Cap (Only)	.45
650-135	Filler Plug Disc, Gasket & Screw	.30
650-136	Filler Plug Gasket	2 for .09
650-140	Filler Plug Complete	.75

# Coleman Radiant Heater, Model No. 2

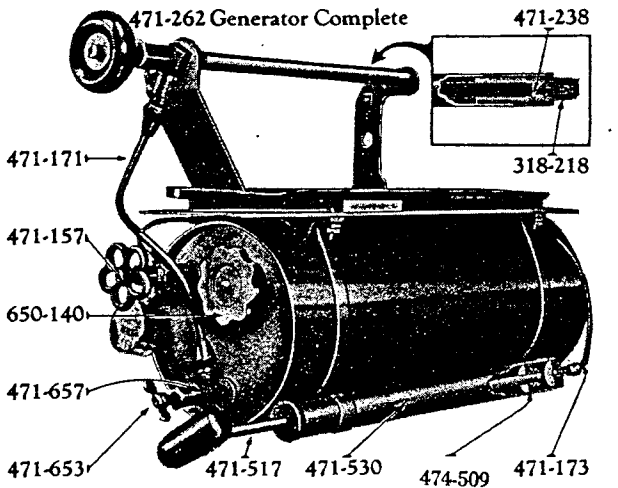
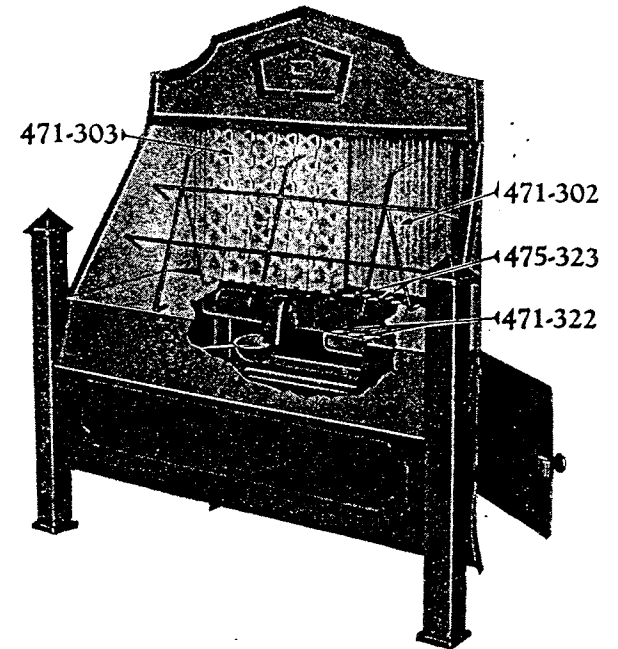
Parts No.	Name of Part	Net Retail Price
307-901	Alcohol Bottle (Only)	.12
451-131	Filler Plug Cap (Only)	.45
451-132	Filler Plug Air Stem	.18
451-139	Filler Plug Core & Gasket	.30
451-140	Filler Plug Complete	.75
451-504	Pump Barrel Top Plug	.09
451-509	Pump Leather	.06
451-522	Jumbo Pump	1.35
471-322	Sub-flame Burner Cap (5/8")	2 for .09
471-906	Alcohol Torch Wick	2 for .09
472-125	Air Gauge	1.20
472-128	Stove Bolt (1/8"x16" R. H.)	.09
472-169	Drip Pan & Brackets	1.20
472-170	Drip Pan, Brackets, Gen. Clamps, Bolts & Nuts	1.80
472-171	Fuel Tube (6 1/2" Long)	.42
472-189	Tank Complete (With Fittings)	5.70
472-193	Tank, Drip Pan & Generator Complete Assembled	9.60
472-233	Generator Clamps, Bolt & Nut	.12
472-238	Cleaning Needle & Holder	2 for .09
472-262	Generator (Gas Tip Marked "4B")	2.40
472-303	Radiant	.24
472-308	Drain Plug Stem	.09
472-367	Drain Plug Complete	.24
472-370	Burner Manifold (With Drain Plug, Main & Sub-flame Burner Caps)	3.00
472-403	Radiant Back (Aluminum)	2.10
472-405	Front Foot	.30
472-406	Post Top Cap	.18
472-407	Post Top	.18
472-408	Frame Trim (Right)	.60
472-409	Frame Trim (Left)	.60
472-410	Post Bolt	.09
472-415	Door Trim	1.50
472-417	Top (Porcelain)	1.20
472-418	Top Trim (Right)	.60
472-419	Top Trim (Left)	.60
472-420	Radiant Holder (Top)	.36
472-421	Key Chain (Only)	.12



Parts No.	Name of Part	Net Retail Price
472-423	Door Handle Name Plate	.36
472-435	Top Tie Rod	.09
472-436	Top Tie Rod Nut	.03
472-473	Bail	.24
472-480	Guard	1.05
472-489	Key & Ring	.12
472-491	Door Complete	3.00
472-651	Tank Fuel Valve Stem Complete	.30
472-657	Tank Fuel Valve Complete	.90
472-920	Alcohol Bottle Cap & Wicks	.75
472-925	Alcohol Torch Complete (Bottle, Cap, Wick, Chain & Snuffer)	.96
475-323	Main Burner Cap (7/8")	2 for .09
502-218	Gas Tip (Marked "4B")	.12
605-950	Wrench	.15
650-136	Filler Plug Gasket	2 for .09

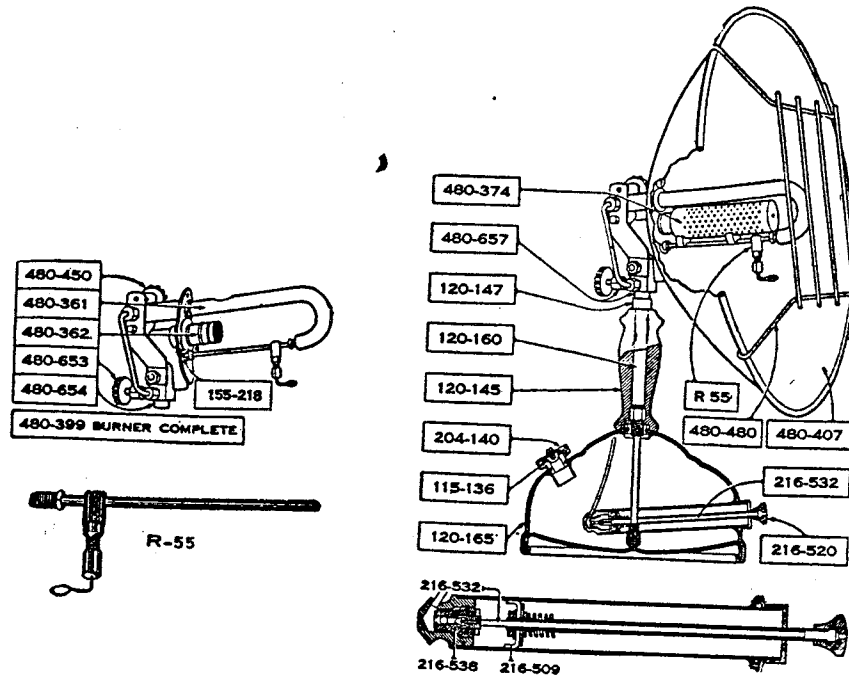
# Coleman Radiant Heater, Model No. 1

Parts No.	Name of Part	Net Retail Price
307-901	Alcohol Bottle (Only)	.12
318-218	Gas Tip (Marked "AO")	.12
471-157	Tank Air Valve & Air Gauge Complete	2.55
471-166	Tank Complete (With Fittings)	10.50
471-169	Drip Pan & Baffle Plate Complete Assembled (With Gen. Clamp, Bolts & Nuts)	2.40
471-171	Fuel Tube (8 1/2" Long)	.48
471-173	Air Tube (24" Long)	.54
471-175	Tank, Pump, Drip Pan, Baffle Plate & Generator Complete Assembled	18.00
471-238	Cleaning Needle & Holder	2 for .09
471-262	Generator (Gas Tip Marked "AO")	2.40
471-302	Radiant Back (Clay)	3.30
471-303	Radiant	.30
471-322	Sub-flame Burner Cap (5/8")	2 for .09
471-370	Burner Manifold (With Main & Sub-flame Burner Caps)	2.70
471-517	Pump Plunger Complete	.60
471-530	Pump	1.50
471-653	Tank Fuel Valve Stem Complete	.30
471-657	Tank Fuel Valve Complete	1.20
471-906	Alcohol Torch Wick	2 for .09
471-955	Drain Cup	.30
472-125	Air Gauge	1.20
472-920	Alcohol Bottle Cap & Wick	.75
472-925	Alcohol Torch Complete (Bottle, Cap, Wick, Chain & Snuffer)	.96
474-509	Pump Leather	2 for .09
475-323	Main Burner Cap (7/8")	2 for .09
605-950	Wrench	.15



Parts No.	Name of Part	Net Retail Price
650-131	Filler Plug Cap (Only)	.45
650-135	Filler Plug Disc, Gasket & Screw	.30
650-136	Filler Plug Gasket	2 for .09
650-140	Filler Plug Complete	.75

# Coleman Hot-Ray Heater, Model No. 480



Parts No.	Name of Part	Net Retail Price
R55	Rotary Generator (Gas Tip Marked "J") (155-299)	
115-136	Filler Plug Gasket	.50
120-145	Lamp Handle	2 for .06
120-147	Handle Lock Nut	.36
120-160	Fuel Wire With Fuel Tube	.15
120-165	Fount Complete	.45
155-218	Gas Tip (Marked "J")	7.50
204-139	Filler Plug Disc, Gasket & Screw	.06
204-140	Filler Plug Complete	.15
216-509	Pump Leather	.48
216-520	Pump Plunger Complete (Less Air Stem)	2 for .09
216-532	Air Stem	.60
216-538	Check Valve	.15
480-171	Fuel Tube (5" Long)	.15
480-361	Vaporizing Tube	.36
480-362	Burner Cap Complete	.90
480-364	Filler Rod & Wick	.30
480-374	Radiant	.09
480-399	Burner Unit Complete (With Generator)	.30
480-407	Reflector	4.50
480-450	Lock Wheel	2.10
480-480	Guard	.15
480-490	Burner Unit, Radiant & Reflector Complete	.45
480-653	Valve Stem Complete	7.50
480-654	Valve Body	.30
480-657	Fuel Valve Complete	.75
480-903	Alcohol Bottle (Only)	1.35
480-913	Alcohol Torch (Only)	.15
480-920	Alcohol Torch & Bottle Complete	.18
605-950	Wrench	.30
		.15

# Air-O-Gas Stove

## Parts List No. 22

See Pages 32 to 63



*Illustrations and Prices of  
Parts for all 1926, 1927,  
1928 and 1929 Models of*

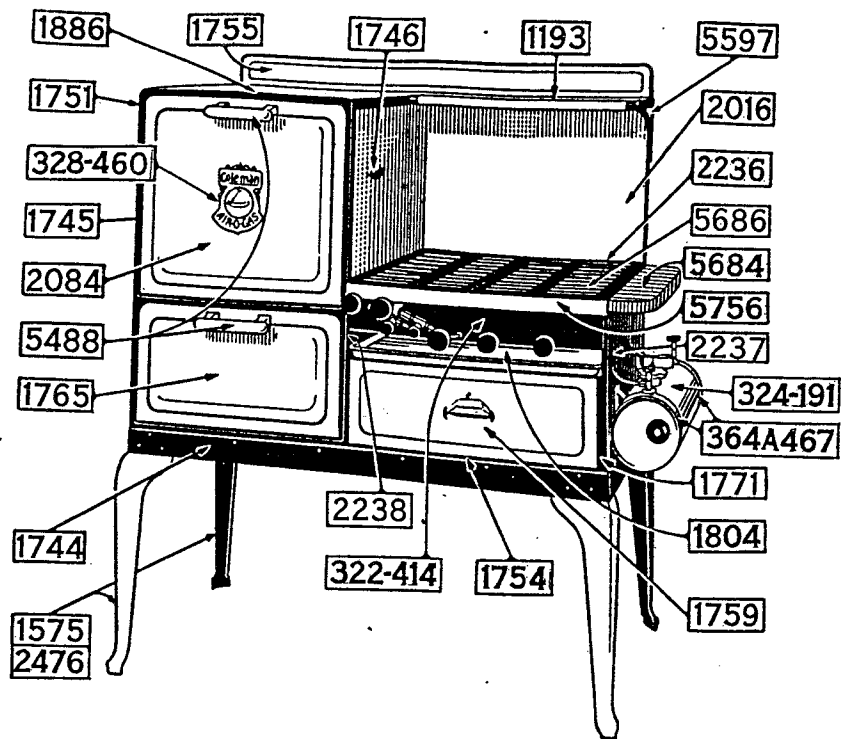
# Coleman Air-O-Gas

**PRESSURE STOVES**

Successor to Air-O-Gas  
Parts Book No. 2A



# Coleman Air-O-Gas Range, Model No. 322 (1929)



Parts No.	Name of Part	Net Retail Price
307-930	Carbon Scraper	.15
308-218	Gas Tip (Marked "A4")	.12
308-238	Cleaning Needle & Holder	2 for .09
312-332	Manifold Gasket	.06
318-218	Gas Tip (Marked "AO")	.12
318-233	Generator Saddle, Clamp, Bolt & Nut (3/32" High)	.12
322-174	Fuel Tube (7 1/2" Long)	.36
322-175	Fuel Tube (26 1/2" Long)	.48
322-321	Master Burner Cap Stop	.15
322-323	Master Burner Cap	1.35
322-327	Main Burner Bracket	.54
322-342	Sub-flame Nipple (1/4"x8" Long)	.24
322A345	Oven Burner Supply Pipe (1/2"x8 3/4" Long)	.36
322-377	Auxiliary Burner Valve Stem Complete	.90
*322A380	Oven Burner Assembly	6.75
*322A399	Main Burner Assembly	16.50
*322-406	End Rail	.45
*322-414	Valve Panel	.60
*324-191	Tank Complete (With Fittings) (Gray) (See Note 1)	9.90
324-323	Burner Cap	1.20
328-263	Oven Generator (Gas Tip Marked "AO")	2.40
328-460	Oven Thermometer	1.35
328-653	Valve Stem Complete	.30
328-657	Fuel Tube Fuel Valve Complete	.90

# Coleman Air-O-Gas Range, Model No. 322 (1929)

(Continued)

Parts No.	Name of Part	Net Retail Price
329-262	Main Generator (Gas Tip Marked "A4")	2.40
364A467	Tank Bracket (2 Piece) (Gray)	.30
366-172	Preheater Fuel Tube (26 7/8" Long)	.30
366-174	Fuel Tube (6" Long)	.30
366-250	Wheel & Nut (Mahogany, Bake-Lite)	.90
*366-320	Mixing Chamber (R. H. Oven)	.90
*366-321	Mixing Chamber (L. H. Oven)	.60
366-323	Simmering Burner Cap	2.25
*366-326	Burner Manifold (Casting Only) (R. H. Oven)	2.25
*366-327	Burner Manifold (Casting Only) (L. H. Oven)	.06
366-332	Coupling Gasket	.96
*366-340	Mixing Chamber (R. H. Oven)	.96
*366-341	Mixing Chamber (L. H. Oven)	.09
366-344	Oven Burner Rear Bracket	.45
366-346	Oven Burner Ell	.09
366-347	Oven Burner Front Bracket	.45
*366-368	Sub-flame Burner & Drain Plug (R. H. Oven)	1.35
366-372	Oven Burner	2.40
366-373	Oven Burner Pilot Lighter	.36
*366-375	Sub-flame Burner & Drain Plug (L. H. Oven)	1.35
*366-383	Preheater Complete (Less Preheater Fuel Tube)	2.10
366-385	Auxiliary Burner Valve Stem Complete (Short)	.75
*366-439	Oven Burner Lighter Baffle (R. H. Oven)	.15
*366-440	Oven Burner Lighter Baffle (L. H. Oven)	.15
471-238	Cleaning Needle & Holder	2 for .09
472-308	Drain Plug Stem	.09
472-367	Drain Plug Complete	.24
599-936	Tee (1/8" S. A. E.)	.24
605-950	Wrench	.15
242	Oven Rack	.90
285	Broiler Pan Rack	.60
408	Oven Door Catch (Steel)	.09
535	Top Guard Holder	.06
645	Broiler Door Spring	.09
646	Oven Door Spring Hook	.15
647	Broiler Door Spring Hook	.15
661	Oven Door Spring	.09
1030	Broiler Pan	3.90
1193	White High Shelf	2.70
1575	Front Leg White (18" Over All)	1.80
1575	Rear Leg Black (18" Over All)	1.80
1744	Black Base Band	4.80
*1745	White Body Side	4.80
*1746	White Side Splasher	4.20
1749	Oven Body Back	2.10
1751	White Main Front	4.50
1754	Burner Box Bottom	2.10
1755	White Top Guard	2.10
*1756	Side Lining (Body Side)	5.40
1758	Top Lining	2.70
1759	White Service Drawer Front	1.80
1760	Back Lining	2.70
1761	Broiler Bottom	1.95
1762-63	Oven Bottom Complete	5.40
1765	White Broiler Drawer Panel	3.00
1767	Broiler Door Lining	1.50
1771	Service Drawer Body (Less Front)	3.75
1801	Oven Door Channel	.75
1802	Broiler Door Channel	.60

# Coleman Air-O-Gas Range, Model No. 322 (1929)

(Continued)

Parts No.	Name of Part	Net Retail Price
1804	White Drip Pan.....	2 70
1842	Lining Support.....	.15
1886	White Oven Top.....	4.50
*2016	White Back Splasher.....	3.90
*2082	Side Lining (Splasher Side).....	5.40
2084	White Oven Door Panel.....	4.20
2085	Oven Door Lining.....	2.10
*2236	Burner Box Back.....	.90
*2237	Burner Box Tank End.....	1.80
*2238	Burner Box Oven End.....	1.50
2363	Full Angle Frame.....	3.00
2476	Front Leg White (19½" Over All).....	1.80
2476	Rear Leg Black (19½" Over All).....	1.80
5488	White Door Handle.....	.60
5489	Door Hinge (Right).....	.45
5490	Door Hinge (Left).....	.45
5494	Door Hinge Bar (Right).....	.36
5495	Door Hinge Bar (Left).....	.36
5498	Spring Bar.....	.30
5533	Oven Door Catch (Casting).....	.15
5596	Black High Shelf Trim (R. H. Oven).....	.90
5597	Black High Shelf Trim (L. H. Oven).....	.90
5684	White End Shelf.....	2.40
5686	Grate.....	3.60
5756	White Front Strip.....	.90

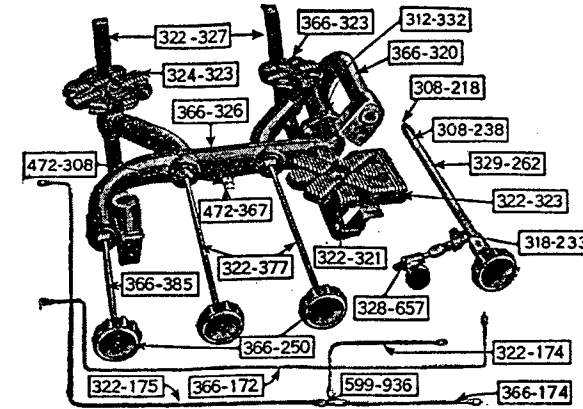
\* Specify if Left Hand Oven, otherwise parts for Right Hand Oven will be shipped.

\*\* For No. 366-383 Preheater Parts, See Page No. 66.

Note 1—For No. 324-191 Tank Parts, See Page 64.

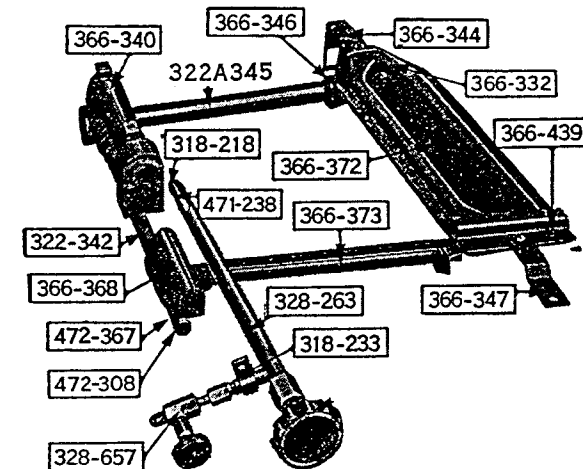
# Coleman Air-O-Gas Range, Model No. 322 (1929)

## \*322A399 MAIN BURNER ASSEMBLY



MAIN BURNER AND GENERATOR PARTS FOR RANGE MODEL No. 322 (1929)  
(With Right Hand Oven)

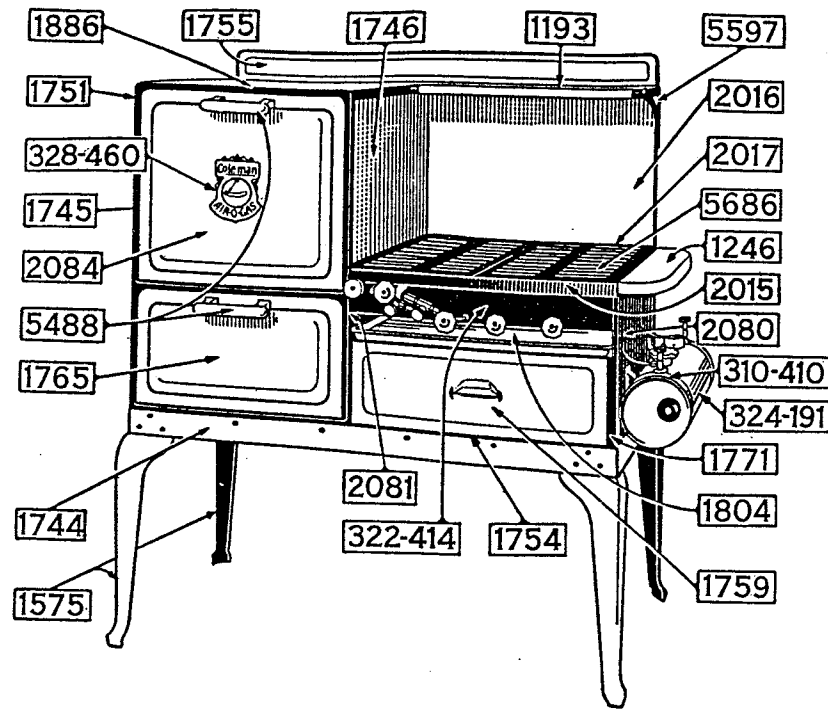
## \*322A380 OVEN BURNER ASSEMBLY



OVEN BURNER AND GENERATOR PARTS FOR RANGE MODEL No. 322 (1929)  
(With Right Hand Oven)

\*Specify if Left Hand Oven, otherwise parts for Right Hand Oven will be shipped.

# Coleman Air-O-Gas Range, Model No. 322 (1928)



Parts No.	Name of Part	Net Retail Price
104-905	Gas Tip Cleaning Needle	.06
307-930	Carbon Scraper	.15
308-218	Gas Tip (Marked "A4")	.12
308-238	Cleaning Needle & Holder	2 for .09
310-215	White Porcelain Wheel	.15
310-410	Tank Bracket (Gray)	.15
312-332	Manifold Gasket	.06
318-218	Gas Tip (Marked "AO")	.12
318-233	Generator Saddle, Clamp, Bolt & Nut (1/32")	.12
322-174	Fuel Tube (7 1/2" Long)	.36
322-175	Fuel Tube (26 1/2" Long)	.48
322-321	Master Burner Cap Stop	.15
*322-322	Mixing Chamber	.96
322-323	Master Burner Cap	1.35
*322-326	Burner Manifold (Casting Only)	2.25
322-327	Main Burner Bracket	.54
322-335	Auxiliary Burner Extension	.45
322-337	Oven Burner Side Bracket	.06
322-339	Master Burner Extension	.45
*322-340	Mixing Chamber	.90
322-342	Sub-flame Nipple (1/4"x8" Long)	.24
322-343	Oven Burner Front Bracket	.09

# Coleman Air-O-Gas Range, Model No. 322 (1928)

(Continued)

Parts No.	Name of Part	Net Retail Price
322-344	Oven Burner Rear Bracket	.12
322-345	Oven Burner Supply Pipe (1/2"x9 1/4" Long)	.30
322-349	Oven Burner Pilot Lighter	.60
*322-368	Sub-flame Burner & Drain Plug	1.05
*322-369	Oven Burner	2.10
322-377	Auxiliary Burner Valve Stem Complete	.90
*322-380	Oven Burner Assembly	6.75
**322-383	Preheater Complete (Less Preheater Fuel Tube)	16.50
*322-399	Main Burner Assembly	.45
*322-406	End Rail	.60
*322-414	Valve Panel	.06
322-456	Lock Nut	.90
*324-191	Tank Complete (With Fittings) (Gray) (See Note 1)	1.20
324-323	Burner Cap	2.40
328-263	Oven Generator (Gas Tip Marked "AO")	1.35
328-460	Oven Thermometer	.30
328-653	Valve Stem Complete	.90
328-657	Fuel Tube Fuel Valve Complete	2.40
329-262	Main Generator (Gas Tip Marked "A4")	.36
366-172	Preheater Fuel Tube (26 1/2" Long)	.30
366-174	Fuel Tube (6" Long)	.09
471-238	Cleaning Needle & Holder	2 for .09
472-308	Drain Plug Stem	.24
472-367	Drain Plug Complete	.24
599-936	Tee (1/8" S. A. E.)	.15
605-950	Wrench	.90
242	Oven Rack	.60
285	Broiler Pan Rack	.09
408	Oven Door Catch (Steel)	.06
535	Top Guard Holder	.09
645	Broiler Door Spring	.15
646	Oven Door Spring Hook	.09
647	Broiler Door Spring Hook	.15
661	Oven Door Spring	.09
1030	Broiler Pan	3.90
1193	White High Shelf	2.70
1246	White End Shelf	1.50
1575	Front Leg White (18" Over All)	1.80
1575	Rear Leg Black (18" Over All)	1.80
1744	White Base Band	4.80
*1745	Black Body Side	4.80
*1746	White Side Splasher	4.20
1749	Oven Body Back	2.10
1751	White Main Front	4.50
1754	Burner Box Bottom	2.10
1755	White Top Guard	2.10
*1756	Side Lining (Body Side)	5.40
1758	Top Lining	2.70
1759	White Service Drawer Front	1.80
1760	Back Lining	2.70
1761	Broiler Bottom	1.95
1762-63	Oven Bottom Complete	5.40
1765	White Broiler Door Panel	3.00
1767	Broiler Door Lining	1.50
1771	Service Drawer Body (Less Front)	3.75
1801	Oven Door Channel	.75
1802	Broiler Door Channel	.60
1804	White Drip Pan	2.70
1842	Lining Support	.15

# Coleman Air-O-Gas Range, Model No. 322 (1928)

(Continued)

Parts No.	Name of Part	Net Retail Price
1886	White Oven Top.....	4.50
2015	Semi-Angle Frame.....	.60
*2016	White Back Splasher.....	3.90
*2017	Burner Box Back.....	1.50
*2080	Burner Box Tank End.....	1.80
*2081	Burner Box Oven End.....	1.50
*2082	Side Lining (Splasher Side).....	5.40
2084	White Oven Door Panel.....	4.20
2085	Oven Door Lining.....	2.10
5488	White Door Handle.....	.60
5489	Door Hinge (Right).....	.45
5490	Door Hinge (Left).....	.45
5494	Door Hinge Bar (Right).....	.36
5495	Door Hinge Bar (Left).....	.36
5498	Spring Bar.....	.30
5533	Oven Door Catch (Casting).....	.15
5596	Black High Shelf Trim (R. H. Oven).....	.90
5597	Black High Shelf Trim (L. H. Oven).....	.90
5686	Grate.....	3.60

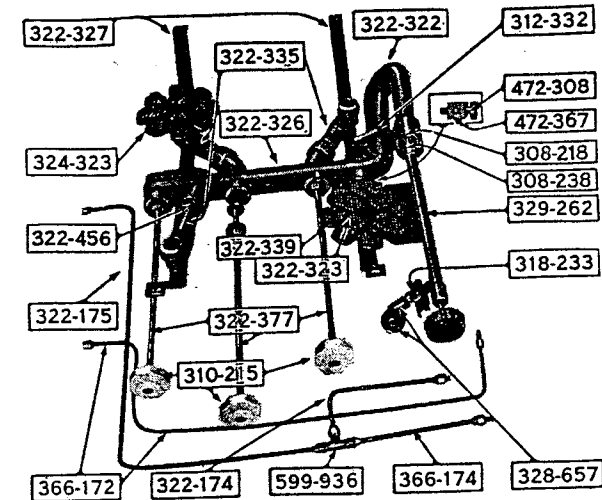
\* Specify if Left Hand Oven; otherwise, parts for Right Hand Oven will be shipped.

\*\* For No. 322-383 Preheater Parts, See Page No. 66.

Note 1—For No. 324-191 Tank Parts, See Page 64.

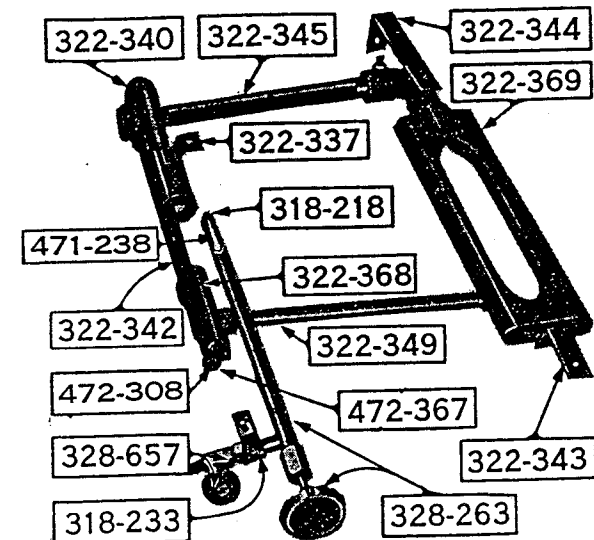
# Coleman Air-O-Gas Range, Model No. 322 (1928)

## \*No. 322-399 MAIN BURNER ASSEMBLY



MAIN BURNER AND GENERATOR PARTS FOR RANGE, MODEL No. 322 (1928)  
(With Right Hand Oven)

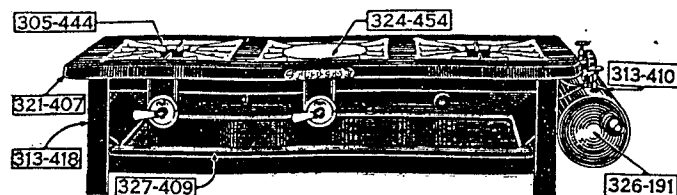
## \*No. 322-380 OVEN BURNER ASSEMBLY



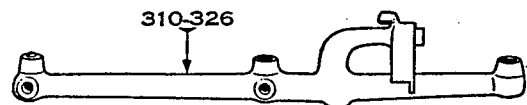
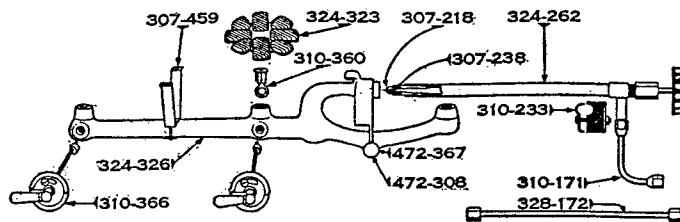
OVEN BURNER AND GENERATOR PARTS FOR RANGE MODEL No. 322 (1928)  
(With Right Hand Oven)

\*Specify if Left Hand Oven otherwise parts for Right Hand Oven will be shipped.

# Coleman Air-O-Gas Stove, Model Nos. 323, 326, 327

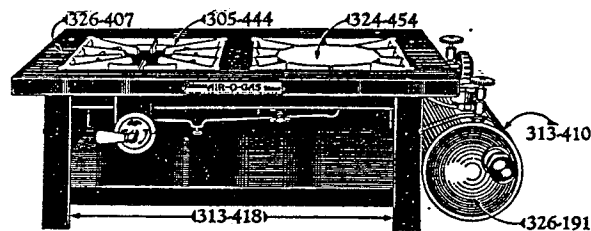


STOVE MODEL No. 327



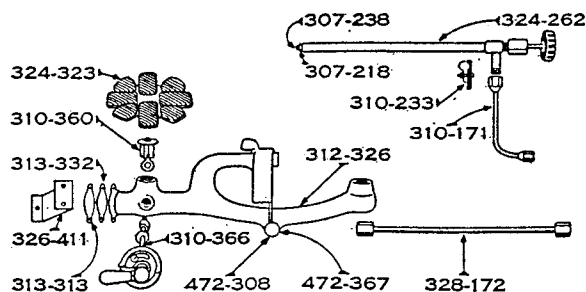
104-132 → 310-345

BURNER AND GENERATOR PARTS FOR STOVE MODEL No. 327



STOVE MODEL No. 326

Stove Model No. 323 Same as No. 326 but is Zinc Plated and has No. 331-483 Galley Rail



BURNER AND GENERATOR PARTS FOR STOVE MODEL No. 326

Parts List for

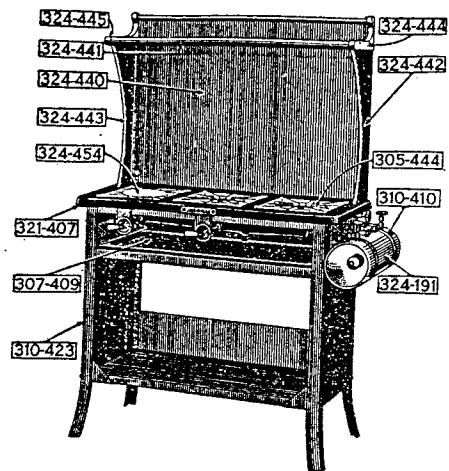
# Coleman Air-O-Gas Stove, Model Nos. 323, 326, 327

Parts No.	Name of Part	Net Retail Price
104-132	Filler Plug Air Stem.....	.18
104-905	Gas Tip Cleaning Needle.....	.06
305-444	Grate (Open Type).....	.60
307-218	Gas Tip (Marked "A3").....	.12
307-238	Cleaning Needle & Holder.....	2 for .09
307-459	Burner Manifold Bracket (2 Piece).....	.12
307-930	Carbon Scraper.....	.15
310-171	Fuel Tube (6½" Long).....	.30
310-233	Generator Saddle, Clamp, Bolt & Nut (1½" High).....	.12
310-326	Burner Manifold (Casting Only).....	2.70
310-345	Drain Plug Complete.....	.24
310-360	Auxiliary Valve Core Complete.....	.30
310-366	Auxiliary Burner Valve Stem Complete (With Disc & Handle).....	.75
312-326	Burner Manifold (Casting Only).....	2.40
313-313	Manifold End Plate.....	.06
313-332	Manifold Gasket.....	.06
313-410	Tank Bracket (Black).....	.15
313-418	Leg (Low Stove).....	.15
321-407	Stove Top (Less Name Plate).....	2.85
324-262	Main Generator (Gas Tip Marked "A3").....	2.40
324-323	Burner Cap.....	1.20
324-326	Burner Manifold (Casting Only).....	2.70
*324-383	Preheater Complete (Less Preheater Fuel Tube).....	.75
324-454	Grate (No Burn Type).....	1.20
**326-191	Tank Complete (With Fittings) (Black).....	9.90
326-407	Stove Top (Less Name Plate).....	2.40
326-411	Burner Manifold Bracket.....	.12
327-409	Drip Pan (Porcelain).....	2.10
328-172	Preheater Fuel Tube (12" Long).....	.36
**331-191	Tank Complete (With Fittings) (Zinc Plated).....	9.90
472-308	Drain Plug Stem.....	.09
472-367	Drain Plug Complete.....	.24
605-950	Wrench.....	.15

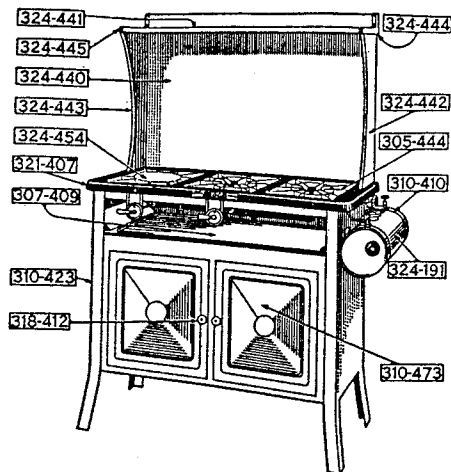
\* For No. 324-383 Preheater Parts, See Page No. 66.

\*\* For Nos. 326-191 and 331-191 Tank Parts, See Page No. 64.

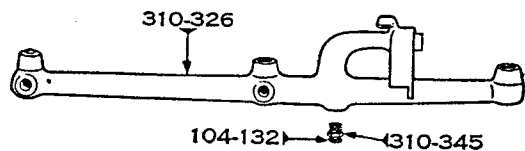
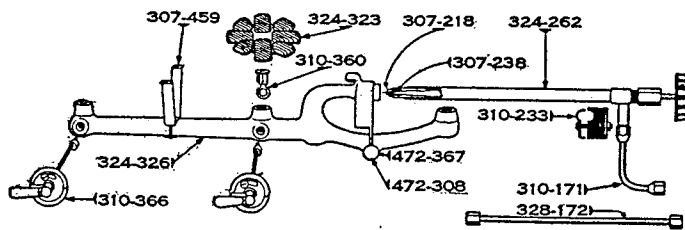
# Coleman Air-O-Gas Stove, Model Nos. 324, 325



STOVE MODEL No. 324



STOVE MODEL No. 325



BURNER AND GENERATOR PARTS FOR STOVE MODEL Nos. 324, 325

# Coleman Air-O-Gas Stove, Model Nos. 324, 325

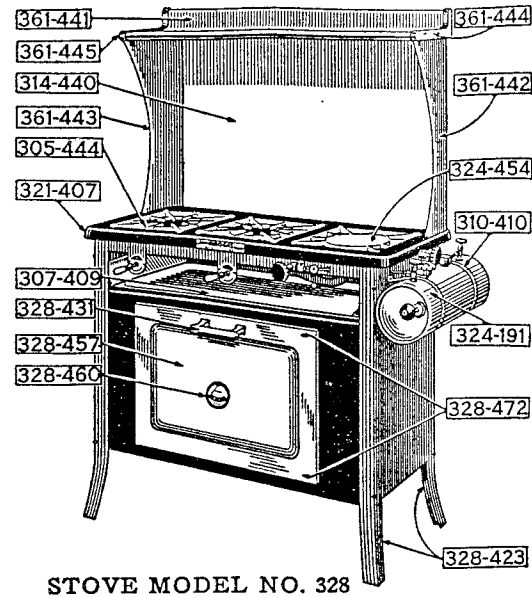
Parts No.	Name of Part	Net Retail Price
104-132	Filler Plug Air Stem.....	.18
104-905	Gas Tip Cleaning Needle.....	.06
305-444	Grate (Open Type).....	.60
307-218	Gas Tip (Marked "A3").....	.12
307-238	Cleaning Needle & Holder.....	2 for .09
307-409	Drip Pan (Porcelain).....	2.40
307-459	Burner Manifold Bracket (2 Piece).....	.12
307-930	Carbon Scraper.....	.15
310-171	Fuel Tube (6½" Long).....	.30
310-233	Generator Saddle, Clamp, Bolt & Nut (1½" High).....	.12
310-326	Burner Manifold (Casting Only).....	2.70
310-345	Drain Plug Complete.....	.24
310-360	Auxiliary Valve Core Complete.....	.30
310-366	Auxiliary Burner Valve Stem Complete (With Disc & Handle).....	.75
310-410	Tank Bracket (Gray).....	.15
310-423	High Leg.....	.60
310-473	Cabinet Door Complete.....	1.20
318-412	Cabinet Door Knob.....	.09
321-407	Stove Top (Less Name Plate).....	2.85
*324-191	Tank Complete (With Fittings) (Gray).....	9.90
324-262	Main Generator (Gas Tip Marked "A3").....	2.40
324-323	Burner Cap.....	1.20
324-326	Burner Manifold (Casting Only).....	2.70
**324-383	Preheater Complete (Less Preheater Fuel Tube).....	.75
324-440	Splasher.....	2.40
324-441	High Shelf.....	1.50
324-442	High Shelf Support (Right).....	.75
324-443	High Shelf Support (Left).....	.75
324-444	High Shelf Trim (Right).....	.75
324-445	High Shelf Trim (Left).....	.75
324-454	Grate (No Burn Type).....	1.20
328-172	Preheater Fuel Tube (12" Long).....	.36
**362-383	Preheater Complete (Less Preheater Fuel Tube) (See Note No. 1).....	2.10
472-308	Drain Plug Stem.....	.09
472-367	Drain Plug Complete.....	.24
605-950	Wrench.....	.15

\* For No. 324-191 Tank Parts, See Page No. 64.

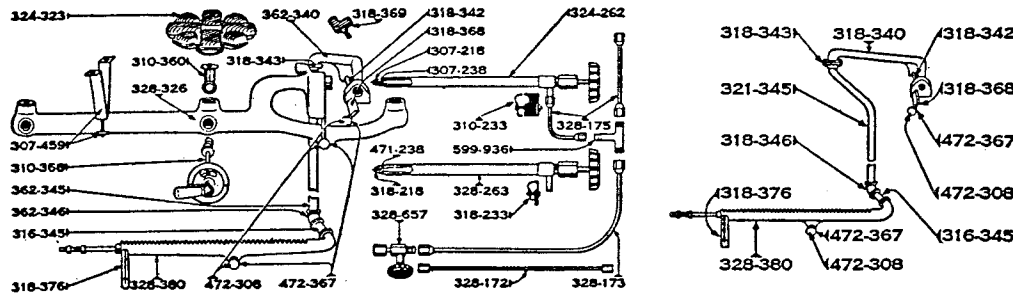
\*\* For Nos. 324-383 and 362-383 Preheater Parts, See Page No. 66.

Note No. 1—Used on Stove Model No. 324 Only.

# Coleman Air-O-Gas Stove, Model No. 328



STOVE MODEL NO. 328



BURNER AND GENERATOR PARTS FOR STOVE MODEL No. 328

Parts No.	Name of Part	Net Retail Price
104-905	Gas Tip Cleaning Needle	.06
305-444	Grate (Open Type)	.60
307-218	Gas Tip (Marked "A3")	.12
307-238	Cleaning Needle & Holder	2 for .09
307-409	Drip Pan (Porcelain)	2.40
307-459	Burner Manifold Bracket (2 Piece)	.12
307-930	Carbon Scraper	.15
310-233	Generator Saddle, Clamp, Bolt & Nut (1 1/8" High)	.12
310-360	Auxiliary Valve Core Complete	.30
310-366	Auxiliary Burner Valve Stem Complete (With Disc & Handle)	.75
310-410	Tank Bracket (Gray)	.15
314-440	Splasher (Porcelain)	6.00
316-345	Iron Pipe Nipple (1/2" x 5 3/4")	.18
318-218	Gas Tip (Marked "AO")	.12
318-233	Generator Saddle, Clamp, Bolt & Nut (1/32" High)	.12
318-340	Mixing Chamber	1.50
318-342	Master Sub-flame Burner Nipple	.30
318-343	Flange Coupling	.12

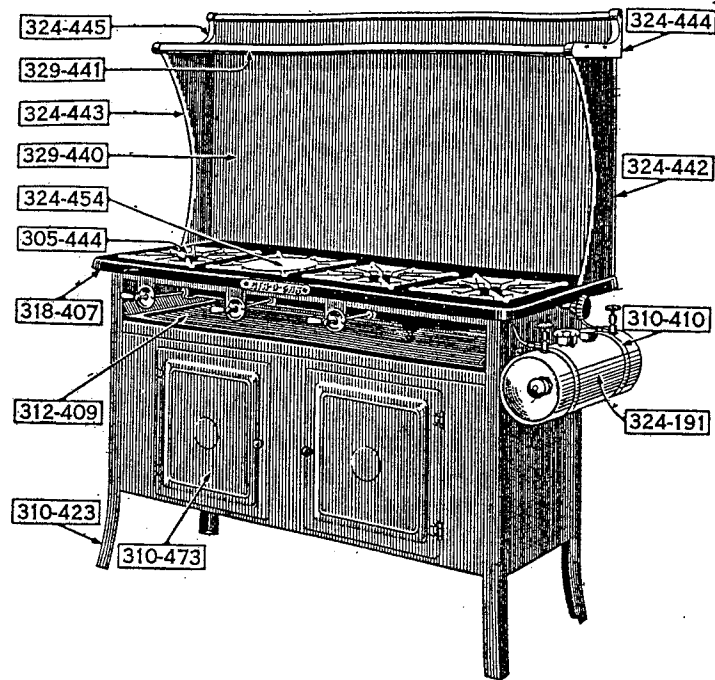
# Coleman Air-O-Gas Stove, Model No. 328

Parts No.	Name of Part	Net Retail Price
318-344	Flange Packing	.06
318-346	Iron Pipe Ell (90°—1/2" I. P. S. Threads)	.36
318-368	Master Sub-flame Burner & Drain Plug	1.05
318-369	Auxiliary Sub-flame Burner & Nipple	.45
318-376	Oven Burner Pilot Lighter	.90
321-345	Oven Burner Drop Supply Pipe (1/2" I. P. S. Threads)	.90
321-407	Stove Top (Less Name Plate)	2.85
*324-191	Tank Complete (With Fittings) (Gray)	9.90
324-262	Main Generator (Gas Tip Marked "A3")	2.40
324-323	Burner Cap	1.20
**324-383	Preheater Complete (Less Preheater Fuel Tube)	.75
324-454	Grate (No Burn Type)	1.20
328-172	Preheater Fuel Tube (12" Long)	.36
328-173	Fuel Tube (17" Long) (Tee to Oven Generator)	.30
328-175	Fuel Tube (2 1/2" Long) (Tank to Tee or Tee to Main Generator)	.21
328-263	Oven Generator (Gas Tip Marked "AO")	2.40
328-326	Burner Manifold (Casting Only)	2.70
328-327	Hood For Oven Burner Pilot Lighter	.09
328-380	Oven Burner Complete (With Drain Plug, Pilot Lighter, Hood, Bolt & Nuts)	3.30
328-417	Oven Door Catch (Casting)	.12
328-423	High Leg	.75
328-425	Oven Back Lining	.90
328-431	Oven Door Handle	.60
328-432	Oven Door Spring	.09
328-434	Oven Door Catch (Steel)	.15
328-435	Oven Door Spring Bar	.15
328-436	Oven Top Lining	.90
328-449	Oven Rack	.60
328-455	Floor Baffle	.60
328-456	Oven Door Lining	1.50
328-457	Oven Door Front	4.20
328-458	Oven Door Hinge (Right)	.36
328-459	Oven Door Hinge (Left)	.36
328-460	Oven Thermometer	1.35
328-461	Oven Door Hinge Bar (Right)	.45
328-462	Oven Door Hinge Bar (Left)	.45
328-463	Oven Door Spring Hook	.06
328-468	Oven Drip Pan	.45
328-469	Oven Floor Baffle Complete (Baffle, Drip Pan & Mirror)	1.35
328-470	Oven Bottom Complete (With Liner & Baffle)	2.40
328-472	Oven Door Complete	7.50
328-476	Oven Side Lining	1.20
328-653	Valve Stem Complete	.30
328-657	Fuel Tube Fuel Valve Complete	.90
361-441	High Shelf	2.10
361-442	High Shelf Support (Right)	.75
361-443	High Shelf Support (Left)	.75
361-444	High Shelf Trim (Right)	.75
361-445	High Shelf Trim (Left)	.75
362-340	Mixing Chamber	1.50
362-345	Oven Burner Drop Supply Tube (3/8"—No. 27)	.90
362-346	Iron Pipe Ell With Lug (90° Outlets—1/2" I. P. S. Threads & 3/8" No. 27)	.36
**362-383	Preheater Complete (Less Preheater Fuel Tube)	2.10
471-238	Cleaning Needle & Holder	2 for .09
472-308	Drain Plug Stem	.09
472-367	Drain Plug Complete	.24
599-936	Tee (3/8" S. A. E.)	.24
605-950	Wrench	.15

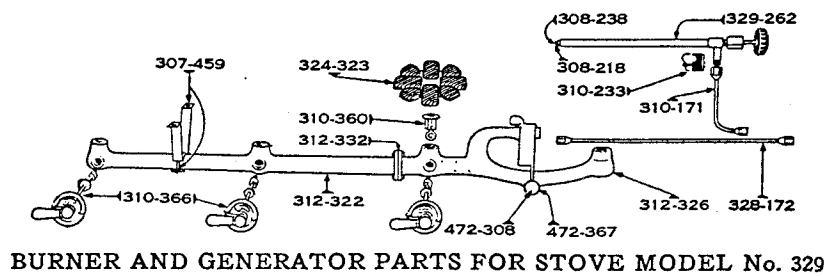
\* For No. 324-191 Tank Parts, See Page No. 64.

\*\* For Nos. 324-383 and 362-383 Preheater Parts, See Page No. 66.

# Coleman Air-O-Gas Stove, Model No. 329



STOVE MODEL No. 329



BURNER AND GENERATOR PARTS FOR STOVE MODEL No. 329

# Coleman Air-O-Gas Stove, Model No. 329

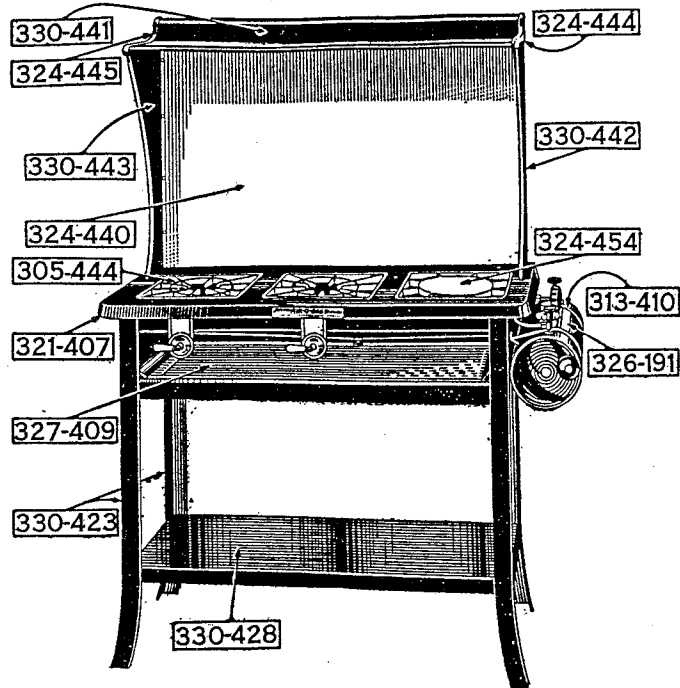
Parts No.	Name of Part	Net Retail Price
104-905	Gas Tip Cleaning Needle.....	.06
305-444	Grate (Open Type).....	.60
307-459	Burner Manifold Bracket (2 Piece).....	.12
307-930	Carbon Scraper .....	.15
308-218	Gas Tip (Marked "A4").....	.12
308-238	Cleaning Needle & Holder.....	2 for .09
310-171	Fuel Tube (6½" Long).....	.30
310-233	Generator Saddle, Clamp, Bolt & Nut (1½" High).....	.12
310-360	Auxiliary Valve Core Complete.....	.30
310-366	Auxiliary Burner Valve Stem Complete (With Disc & Handle).....	.75
310-410	Tank Bracket (Gray).....	.15
310-423	High Leg .....	.60
310-473	Cabinet Door Complete.....	1.20
312-322	Burner Manifold Extension (Casting Only).....	2.25
312-326	Burner Manifold (Casting Only).....	2.40
312-332	Manifold Gasket .....	.06
312-409	Drip Pan (Porcelain) .....	3.60
318-407	Stove Top (Less Name Plate).....	3.30
*324-191	Tank Complete (With Fittings) (Gray).....	9.90
324-323	Burner Cap .....	1.20
**324-383	Preheater Complete (Less Preheater Fuel Tube).....	.75
324-442	High Shelf Support (Right).....	.75
324-443	High Shelf Support (Left).....	.75
324-444	High Shelf Trim (Right).....	.75
324-445	High Shelf Trim (Left).....	.75
324-454	Grate (No Burn Type).....	1.20
328-172	Preheater Fuel Tube (12" Long).....	.36
329-262	Main Generator (Gas Tip Marked "A4").....	2.40
329-440	Splasher .....	3.60
329-441	High Shelf .....	2.25
472-308	Drain Plug Stem.....	.09
472-367	Drain Plug Complete.....	.24
605-950	Wrench .....	.15

\* For No. 324-191 Tank Parts, See Page No. 64.

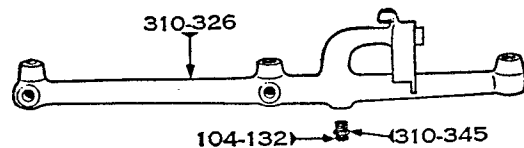
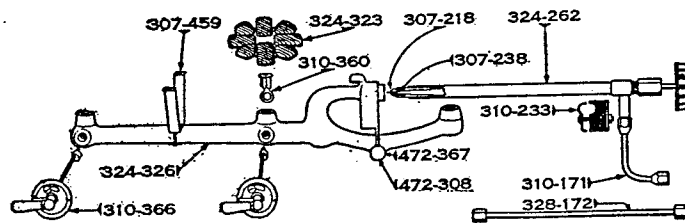
\*\* For No. 324-383 Preheater Parts, See Page No. 66.



# Coleman Air-O-Gas Stove, Model No. 330



STOVE MODEL No. 330



BURNER AND GENERATOR PARTS FOR STOVE MODEL No. 330

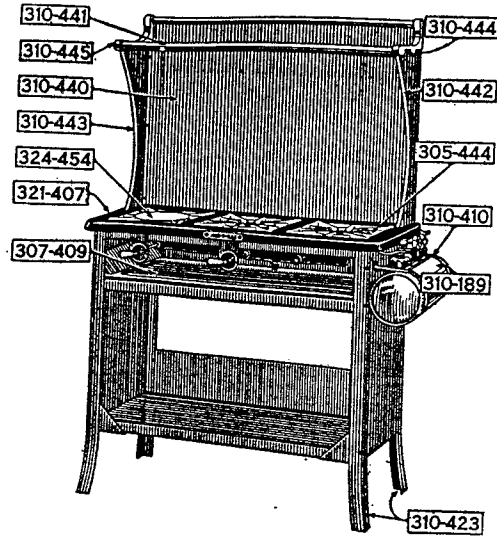
# Coleman Air-O-Gas Stove, Model No. 330

Parts No.	Name of Part	Net Retail Price
104-132	Filler Plug Air Stem.....	.18
104-905	Gas Tip Cleaning Needle.....	.06
305-444	Grate (Open Type).....	.60
307-218	Gas Tip (Marked "A3").....	.12
307-238	Cleaning Needle & Holder.....	2 for .09
307-459	Burner Manifold Bracket (2 Piece).....	.12
307-930	Carbon Scraper.....	.15
310-171	Fuel Tube (6½" Long).....	.30
310-233	Generator Saddle, Clamp, Bolt & Nut (½" High).....	.12
310-326	Burner Manifold (Casting Only).....	2.70
310-345	Drain Plug Complete.....	.24
310-360	Auxiliary Valve Core Complete.....	.30
310-366	Auxiliary Burner Valve Stem Complete (With Disc & Handle).....	.75
313-410	Tank Bracket (Black).....	.15
321-407	Stove Top (Less Name Plate).....	2.85
324-262	Main Generator (Gas Tip Marked "A3").....	2.40
324-323	Burner Cap.....	1.20
324-326	Burner Manifold (Casting Only).....	2.70
*324-383	Preheater Complete (Less Preheater Fuel Tube).....	.75
324-440	Splasher.....	2.40
324-444	High Shelf Trim (Right).....	.75
324-445	High Shelf Trim (Left).....	.75
324-454	Grate (No Burn Type).....	1.20
**326-191	Tank Complete (With Fittings) (Black).....	9.90
327-409	Drip Pan (Porcelain).....	2.10
328-172	Preheater Fuel Tube (12" Long).....	.36
330-423	High Leg.....	.60
330-428	Low Shelf.....	1.80
330-441	High Shelf.....	1.35
330-442	High Shelf Support (Right).....	.75
330-443	High Shelf Support (Left).....	.75
472-308	Drain Plug Stem.....	.09
472-367	Drain Plug Complete.....	.24
605-950	Wrench.....	.15

\* For No. 324-383 Preheater Parts, See Page No. 66.

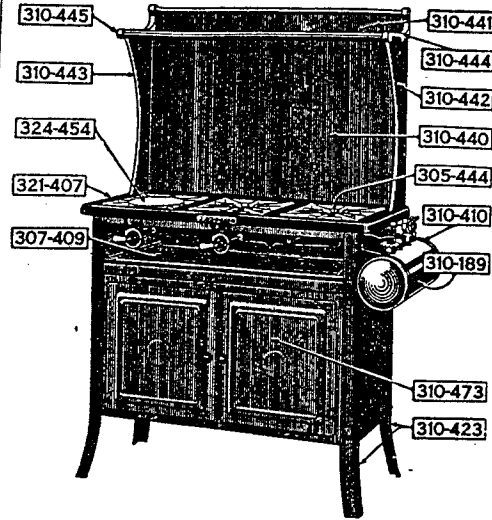
\*\* For No. 326-191 Tank Parts, See Page No. 64.

# Coleman Air-O-Gas Stove, Model Nos. 210, 211, 212, 213, 214



STOVE MODEL No. 212

Stove Model No. 211, same as above  
less High Back

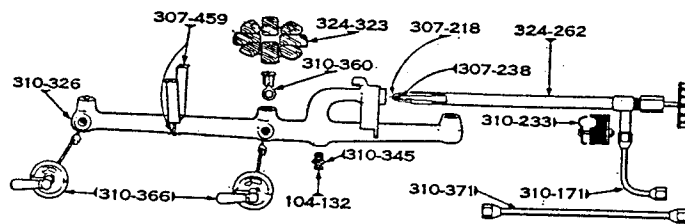


STOVE MODEL No. 214

Stove Model No. 213, same as above  
less High Back



STOVE MODEL No. 210



BURNER AND GENERATOR PARTS FOR STOVE  
MODEL Nos. 210, 211, 212, 213, 214

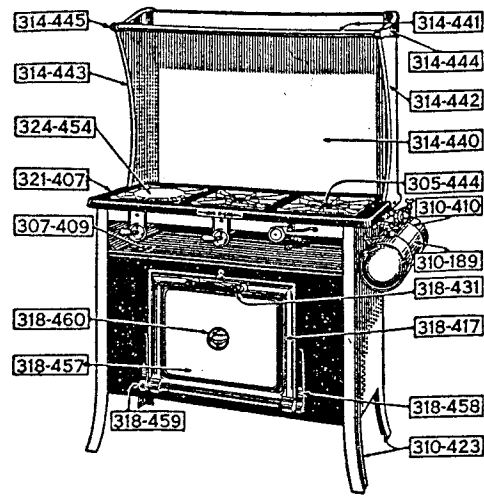
PARTS LIST FOR

# Coleman Air-O-Gas Stove, Model Nos. 210, 211, 212, 213, 214

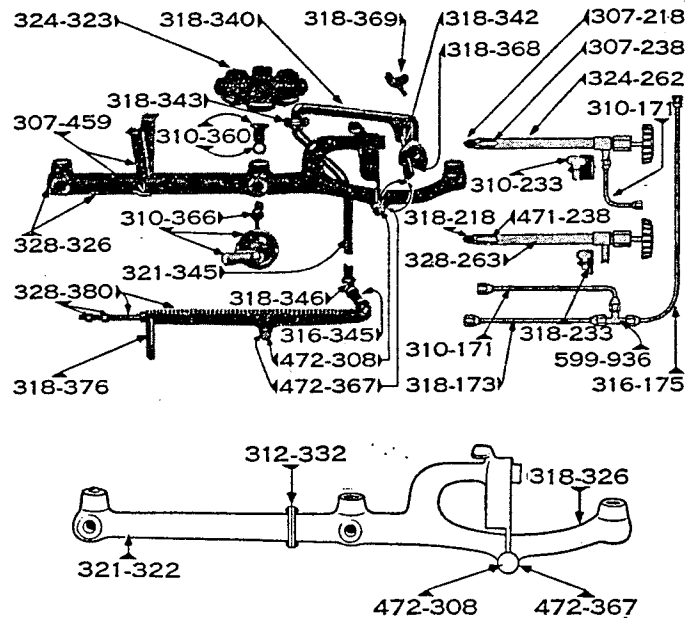
Parts No.	Name of Part	Net Retail Price
104-132	Filler Plug Air Stem	.18
104-905	Gas Tip Cleaning Needle	.06
305-444	Grate (Open Type)	.60
307-218	Gas Tip (Marked "A3")	.12
307-238	Cleaning Needle & Holder	2 for .09
307-409	Drip Pan (Porcelain)	2.40
307-459	Burner Manifold Bracket (2 Piece)	.12
307-930	Carbon Scraper	.15
310-171	Fuel Tube (6½" Long)	.30
*310-189	Tank Complete (With Fittings) (Gray)	7.50
310-233	Generator Saddle, Clamp, Bolt & Nut (½" High)	.12
310-326	Burner Manifold (Casting Only)	2.70
310-345	Drain Plug Complete	.24
310-360	Auxiliary Valve Core Complete	.30
310-366	Auxiliary Burner Valve Stem Complete (With Disc & Handle)	.75
310-371	Preheater Fuel Tube (19½" Long)	.36
*310-383	Preheater Complete (Less Fuel Tube)	1.80
310-410	Tank Bracket (Gray)	.15
310-418	Leg (Low Stove)	.24
310-423	High Leg	.60
310-440	Splasher	2.40
310-441	High Shelf	1.50
310-442	High Shelf Support (Right)	.75
310-443	High Shelf Support (Left)	.75
310-444	High Shelf Trim (Right)	.90
310-445	High Shelf Trim (Left)	.90
310-473	Cabinet Door Complete	1.20
321-407	Stove Top (Less Name Plate)	2.85
324-262	Main Generator (Gas Tip Marked "A3")	2.40
324-323	Burner Cap	1.20
324-454	Grate (No Burn Type)	1.20
*451-522	Jumbo Pump	1.35
605-950	Wrench	.15

\* For No. 310-189 Tank Parts, No. 451-522 Pump Parts and No. 310-383 Pre-heater Parts, See Page No. 65.

# Coleman Air-O-Gas Stove, Model Nos. 224, 225



STOVE MODEL No. 225  
Stove Model No. 224 Same as Above less High Back



BURNER AND GENERATOR PARTS FOR STOVE MODEL Nos. 224, 225

Parts No.	Name of Part	Net Retail Price
104-905	Gas Tip Cleaning Needle	.06
305-444	Grate (Open Type)	.60
307-218	Gas Tip (Marked "A3")	.12
307-238	Cleaning Needle & Holder	2 for .09
307-409	Drip Pan (Porcelain)	2.40
307-459	Burner Manifold Bracket (2 Piece)	.12
307-930	Carbon Scraper	.15

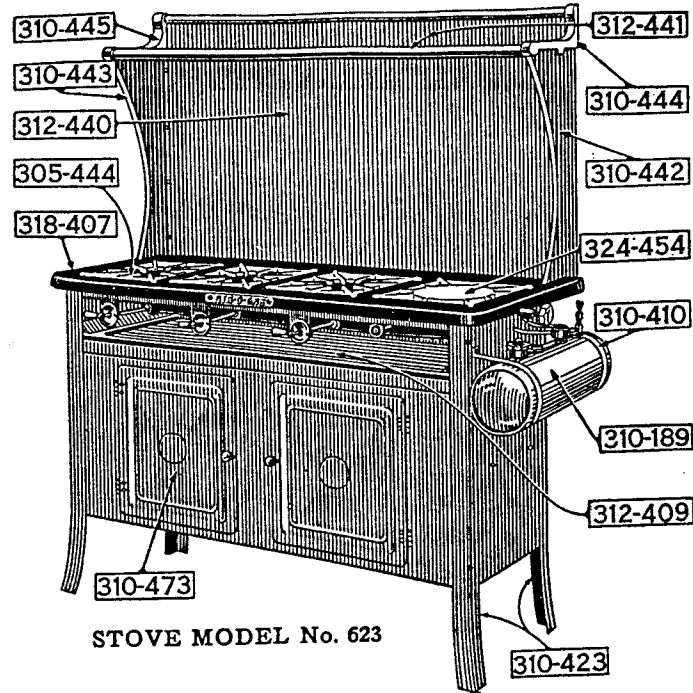
# Coleman Air-O-Gas Stove, Model Nos. 224, 225

Parts No.	Name of Part	Net Retail Price
310-171	Fuel Tube (6½" Long)	.30
*310-189	Tank Complete (With Fittings) (Gray)	7.50
310-233	Generator Saddle, Clamp, Bolt & Nut (1½" High)	.12
310-360	Auxiliary Valve Core Complete	.30
310-366	Auxiliary Burner Valve Stem Complete (With Disc & Handle)	.75
*310-383	Preheater Complete (Less Fuel Tube)	1.80
310-410	Tank Bracket (Gray)	.15
310-423	High Leg	.60
312-332	Manifold Gasket	.06
314-440	Splasher (Porcelain)	6.00
314-441	High Shelf	1.50
314-442	High Shelf Support (Right)	.75
314-443	High Shelf Support (Left)	.75
314-444	High Shelf Trim (Right)	1.35
314-445	High Shelf Trim (Left)	1.35
316-175	Fuel Tube (11" Long)	.36
316-345	Iron Pipe Nipple (½"x5¼")	.18
318-173	Fuel Tube (8" Long)	.30
318-218	Gas Tip (Marked "AO")	.12
318-233	Generator Saddle, Clamp, Bolt & Nut (¾" High)	.12
318-326	Burner Manifold (Casting Only)	3.60
318-340	Mixing Chamber	1.50
318-342	Master Sub-flame Burner Nipple	.30
318-343	Flange Coupling	.12
318-344	Flange Packing	.06
318-346	Iron Pipe Ell (90°—½" I. P. S. Threads)	.36
318-368	Master Sub-flame Burner & Drain Plug	1.05
318-369	Auxiliary Sub-flame Burner & Nipple	.45
318-376	Oven Burner Pilot Lighter	.90
318-417	Oven Door Frame	5.40
318-425	Oven Back Lining	.75
318-431	Oven Door Handle	.36
318-434	Oven Door Catch (Steel)	2 for .09
318-436	Oven Top Lining	.75
318-449	Oven Rack	.60
318-457	Oven Door Front Panel	2.10
318-458	Oven Door Hinge (Right)	.60
318-459	Oven Door Hinge (Left)	.60
318-460	Oven Thermometer	1.35
318-467	Oven Bottom Complete (With Liner & Baffle)	3.00
318-472	Oven Door Complete	9.00
318-476	Oven Side Lining	1.80
**321-322	Burner Manifold Extension (Casting Only)	
321-345	Oven Burner Drop Supply Pipe (½" I. P. S. Threads)	.90
321-407	Stove Top (Less Name Plate)	2.85
324-262	Main Generator (Gas Tip Marked "A3")	2.40
324-323	Burner Cap	1.20
324-454	Grate (No Burn Type)	1.70
328-263	Oven Generator (Gas Tip Marked "AO")	2.70
328-326	Burner Manifold (Casting Only)	2.70
328-327	Hood For Oven Burner Pilot Lighter	.09
328-380	Oven Burner Complete (With Drain Plug, Pilot Lighter, Hood, Bolt & Nuts)	3.30
*451-522	Jumbo Pump	1.35
471-238	Cleaning Needle & Holder	2 for .09
472-308	Drain Plug Stem	.09
472-367	Drain Plug Complete	.74
599-936	Tee (¾" S. A. E.)	.21
605-950	Wrench	.15

\* For No. 310-189 Tank Parts, No. 451-522 Pump Parts and No. 310-383 Preheater Parts, see Page No. 65.

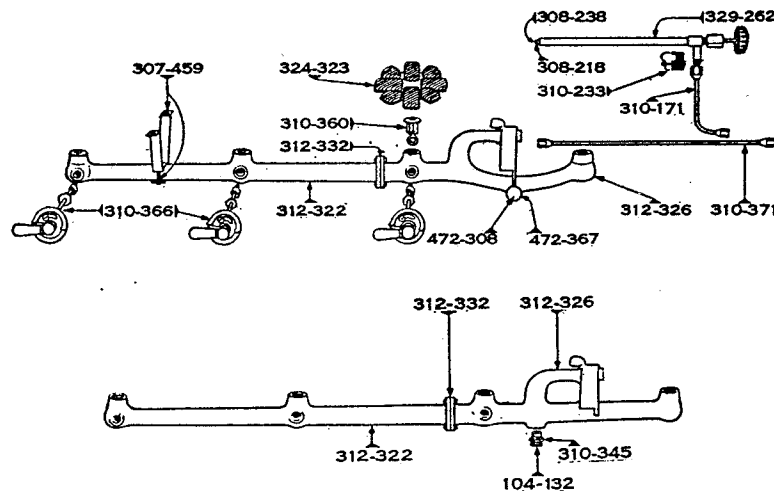
\*\* No. 321-322 is obsolete on Stove Model Nos. 224, 225. Supply No. 328-326

## Coleman Air-O-Gas Stove, Model Nos. 620, 621, 622, 623



STOVE MODEL No. 623

Stove Model No. 622, same as above less High Back.  
Stove Model No. 621, Skeleton Legs with High Back.  
Stove Model No. 620, Skeleton Legs less High Back.



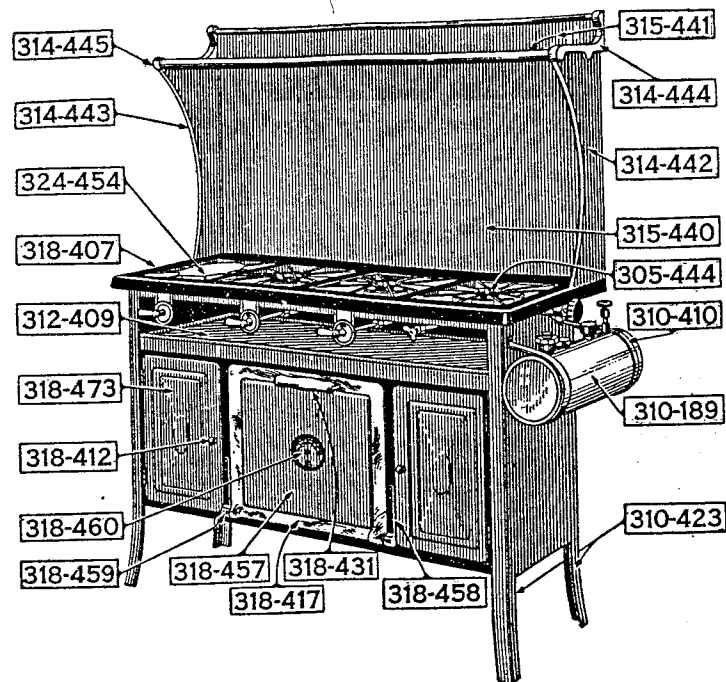
BURNER AND GENERATOR PARTS FOR STOVE MODEL Nos. 620, 621, 622, 623

## Coleman Air-O-Gas Stove, Model Nos. 620, 621, 622, 623

Parts No.	Name of Part	Net Retail Price
104-132	Filler Plug Air Stem.....	.18
104-905	Gas Tip Cleaning Needle.....	.06
305-444	Grate (Open Type).....	.60
307-459	Burner Manifold Bracket (2 Piece).....	.12
307-930	Carbon Scraper.....	.15
308-218	Gas Tip (Marked "A4").....	.12
308-238	Cleaning Needle & Holder.....	2 for .09
310-171	Fuel Tube (6½" Long).....	.30
*310-189	Tank Complete (With Fittings) (Gray).....	7.50
310-233	Generator Saddle, Clamp, Bolt & Nut (½" High).....	.12
310-345	Drain Plug Complete.....	.24
310-360	Auxiliary Valve Core Complete.....	.30
310-366	Auxiliary Burner Valve Stem Complete (With Disc & Handle).....	.75
310-371	Preheater Fuel Tube (19½" Long).....	.36
*310-383	Preheater Complete (Less Fuel Tube).....	1.80
310-410	Tank Bracket (Gray).....	.15
310-423	High Leg.....	.60
310-442	High Shelf Support (Right).....	.75
310-443	High Shelf Support (Left).....	.75
310-444	High Shelf Trim (Right).....	.90
310-445	High Shelf Trim (Left).....	.90
310-473	Cabinet Door Complete.....	1.20
312-322	Burner Manifold Extension (Casting Only).....	2.25
312-326	Burner Manifold (Casting Only).....	2.40
312-332	Manifold Gasket.....	.06
312-409	Drip Pan (Porcelain).....	3.60
312 440	Splasher.....	4.50
312-441	High Shelf.....	1.50
318-407	Stove Top (Less Name Plate).....	3.30
324-323	Burner Cap.....	1.20
324-454	Grate (No Burn Type).....	1.20
329-262	Main Generator (Gas Tip Marked "A4").....	2.40
*451-522	Jumbo Pump.....	1.35
472-308	Drain Plug Stem.....	.09
472-367	Drain Plug Complete.....	.24
605-950	Wrench.....	.15

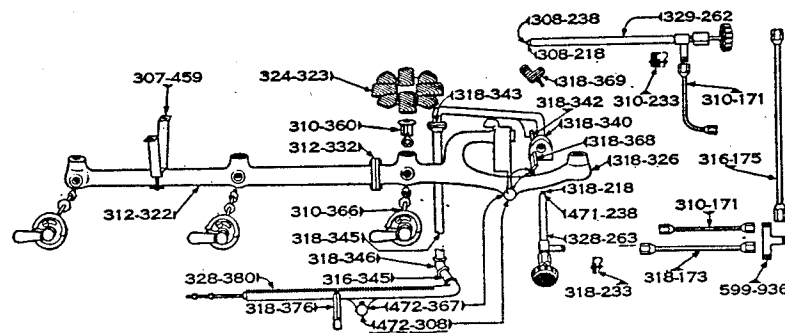
\* For No. 310-189 Tank Parts, No. 451-522 Pump Parts and No. 310-383 Preheater Parts, See Page No. 65

# Coleman Air-O-Gas Stove, Model Nos. 624, 625



STOVE MODEL No. 625

Stove Model No. 624, same as above less High Back



BURNER AND GENERATOR PARTS FOR STOVE MODEL Nos. 624, 625

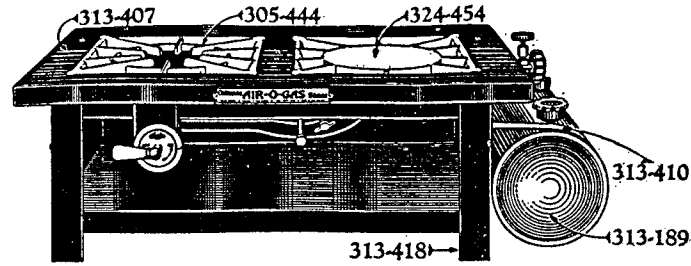
Parts No.	Name of Part	Net Retail Price
104-905	Gas Tip Cleaning Needle	.06
305-444	Grate (Open Type)	.60
307-459	Burner Manifold Bracket (2 Piece)	.12
307-930	Carbon Scraper	.15
308-218	Gas Tip (Marked "A4")	.12
308-238	Cleaning Needle & Holder	2 for .09
310-171	Fuel Tube (6½" Long)	.30

# Coleman Air-O-Gas Stove, Model Nos. 624, 625

Parts No.	Name of Part	Net Retail Price
*310-189	Tank Complete (With Fittings) (Gray)	7.50
310-233	Generator Saddle, Clamp, Bolt & Nut (1½" High)	.12
310-360	Auxiliary Valve Core Complete	.30
310-366	Auxiliary Burner Valve Stem Complete (With Disc & Handle)	.75
*310-383	Preheater Complete (Less Fuel Tube)	1.80
310-410	Tank Bracket (Gray)	.15
310-423	High Leg	.60
312-322	Burner Manifold Extension (Casting Only)	2.25
312-332	Manifold Gasket	.06
312-409	Drip Pan (Porcelain)	3.60
314-442	High Shelf Support (Right)	.75
314-443	High Shelf Support (Left)	.75
314-444	High Shelf Trim (Right)	1.35
314-445	High Shelf Trim (Left)	1.35
315-440	Splasher (Porcelain)	7.80
315-441	High Shelf	2.10
316-175	Fuel Tube (11" Long)	.36
316-345	Iron Pipe Nipple (½" x 5¾")	.18
318-173	Fuel Tube (8" Long)	.30
318-218	Gas Tip (Marked "AO")	.12
318-233	Generator Saddle, Clamp, Bolt & Nut (¾" High)	.12
318-326	Burner Manifold (Casting Only)	3.60
318-340	Mixing Chamber	1.50
318-342	Master Sub-flame Burner Nipple	.30
318-343	Flange Coupling	.12
318-344	Flange Packing	.06
318-345	Oven Burner Drop Supply Pipe (½" I. P. S. Threads)	.60
318-346	Iron Pipe Ell (90°-½" I. P. S. Threads)	.36
318-368	Master Sub-flame Burner & Drain Plug	1.05
318-369	Auxiliary Sub-flame Burner & Nipple	.45
318-376	Oven Burner Pilot Lighter	.90
318-407	Stove Top (Less Name Plate)	3.30
318-412	Cabinet Door Knob	.09
318-417	Oven Door Frame	5.40
318-425	Oven Back Lining	.75
318-431	Oven Door Handle	.36
318-434	Oven Door Catch (Steel)	2 for .09
318-436	Oven Top Lining	.75
318-449	Oven Rack	.60
318-457	Oven Door Front Panel	2.10
318-458	Oven Door Hinge (Right)	.60
318-459	Oven Door Hinge (Left)	.60
318-460	Oven Thermometer	1.35
318-467	Oven Bottom Complete (With Liner & Baffle)	3.00
318-472	Oven Door Complete	9.00
318-473	Cabinet Door Complete	.90
318-476	Oven Side Lining	1.80
324-323	Burner Cap	1.20
324-454	Grate (No Burn Type)	1.20
328-263	Oven Generator (Gas Tip Marked "AO")	2.40
328-327	Hood For Oven Burner Pilot Lighter	.09
328-380	Oven Burner Complete (With Drain Plug, Pilot Lighter, Hood, Bolt & Nuts)	3.30
329-262	Main Generator (Gas Tip Marked "A4")	2.40
*451-522	Jumbo Pump	1.35
471-238	Cleaning Needle & Holder	2 for .09
472-308	Drain Plug Stem	.09
472-367	Drain Plug Complete	.24
599-936	Tee (½" S. A. E.)	.24
605-950	Wrench	.15

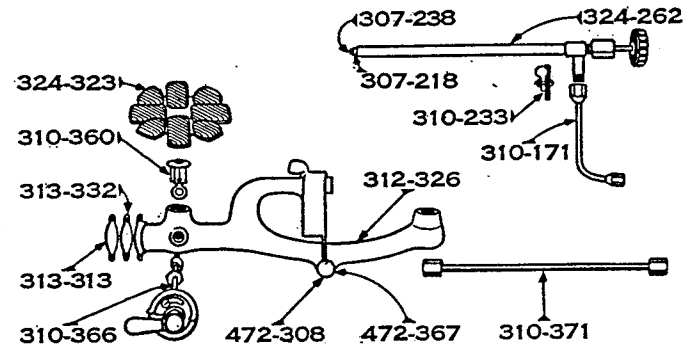
\* For No. 310-189 Tank Parts, No. 451-522 Pump Parts and No. 310-383 Pre-heater Parts, See Page No. 65.

# Coleman Air-O-Gas Stove, Model Nos. 120, 121



STOVE MODEL No. 120

Stove Model No. 121, same as above with No. 313-483 Galley Rail



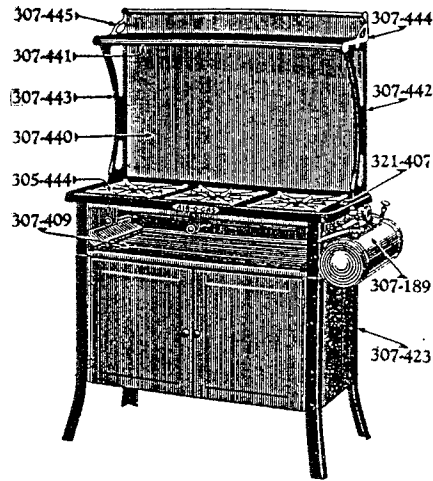
BURNER AND GENERATOR PARTS FOR STOVE MODEL Nos. 120, 121

# Coleman Air-O-Gas Stove, Model Nos. 120, 121

Parts No.	Name of Part	Net Retail Price
104-905	Gas Tip Cleaning Needle.....	.06
305-444	Stove Grate (Open Type).....	.60
307-218	Gas Tip (Marked "A3").....	.12
307-238	Cleaning Needle & Holder.....	2 for .09
307-930	Carbon Scraper.....	.15
310-171	Fuel Tube (6½" Long).....	.30
310-233	Generator Saddle, Clamp, Bolt & Nut (½" High).....	.12
310-360	Auxiliary Valve Core Complete.....	.30
310-366	Auxiliary Burner Valve Stem Complete (With Disc & Handle).....	.75
310-371	Preheater Fuel Tube (19½" Long).....	.36
*310-383	Preheater Complete (Less Fuel Tube).....	1.80
312-326	Burner Manifold (Casting Only).....	2.40
*313-189	Tank Complete (With Fittings) (Black).....	7.50
313-313	Manifold End Plate.....	.06
313-332	Manifold Gasket.....	.06
313-407	Stove Top (Less Name Plate).....	2.40
313-410	Tank Bracket (Black).....	.15
313-411	Burner Manifold Bracket.....	.24
313-418	Leg (Low Stove).....	.15
313-483	Galley Rail.....	3.00
324-262	Main Generator (Gas Tip Marked "A3").....	2.40
324-323	Burner Cap.....	1.20
324-454	Grate (No Burn Type).....	1.20
*451-522	Jumbo Pump.....	1.35
472-308	Drain Plug Stem.....	.09
472-367	Drain Plug Complete.....	.24
605-950	Wrench.....	.15

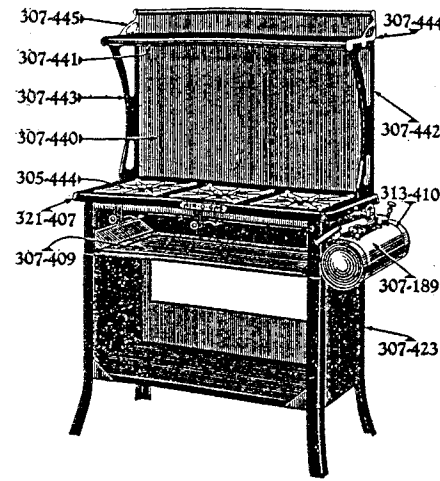
\* For No. 313-189 Tank Parts, No. 451-522 Pump Parts, and No. 310-383 Preheater Parts, See Page No. 65.

## Coleman Air-O-Gas Stove, Model Nos. 200, 201, 202, 203, 204



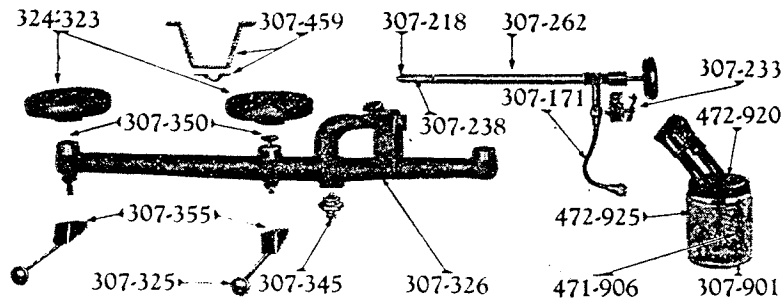
STOVE MODEL No. 204

Stove Model No. 203, same as above  
less High Back



STOVE MODEL No. 202

Stove Model No. 201, same as above  
less High Back  
Stove Model No. 200, same as above,  
less High Back and Skeleton Legs



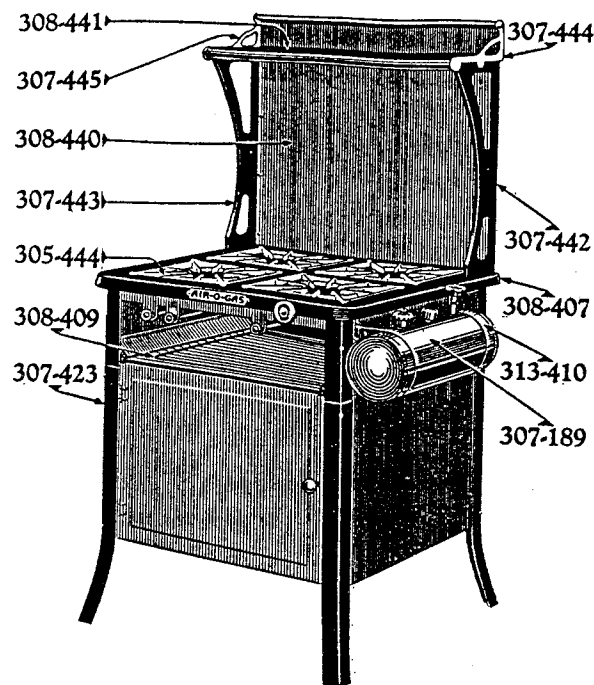
BURNER AND GENERATOR PARTS FOR STOVE  
MODEL Nos. 200, 201, 202, 203, 204

## Coleman Air-O-Gas Stove, Model Nos. 200, 201, 202, 203, 204

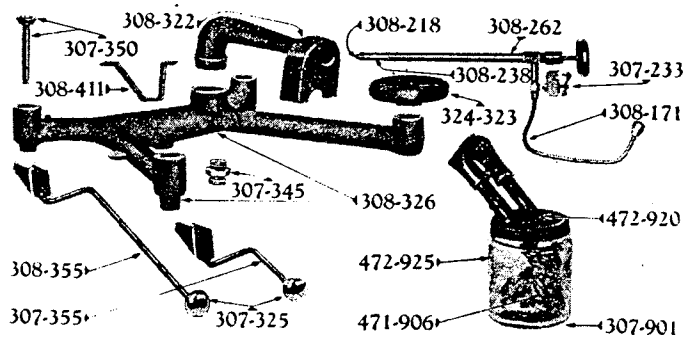
Parts No.	Name of Part	Net Retail Price
305-444	Grate (Open Type).....	.60
307-171	Fuel Tube (5¾" Long).....	.48
*307-189	Tank Complete (With Fittings) (Black).....	7.50
307-218	Gas Tip (Marked "A3").....	.12
307-233	Generator Saddle, Clamp, Bolt & Nut (1⅜" High).....	.12
307-238	Cleaning Needle & Holder.....	2 for .09
307-262	Main Generator (Gas Tip Marked "A3").....	2.40
307-325	Auxiliary Valve Opener Knob.....	.09
307-326	Burner Manifold (Casting Only).....	2.55
307-345	Drain Plug Complete.....	.45
307-350	Auxiliary Burner Valve Core.....	.24
307-355	Auxiliary Burner Valve Opener (Less Knob).....	.30
307-409	Drip Pan (Porcelain).....	2.40
307-423	High Leg.....	.60
307-440	Splasher.....	2.40
307-441	High Shelf.....	1.50
307-442	High Shelf Support (Right).....	.75
307-443	High Shelf Support (Left).....	.75
307-444	High Shelf Trim (Right).....	.90
307-445	High Shelf Trim (Left).....	.90
307-459	Burner Manifold Bracket (2 Piece).....	.12
307-901	Alcohol Bottle (Only).....	.12
307-930	Carbon Scraper.....	.15
313-410	Tank Bracket (Black).....	.15
321-407	Stove Top (Less Name Plate).....	2.85
324-323	Burner Cap.....	1.20
*451-522	Jumbo Pump.....	1.35
471-906	Alcohol Torch Wick.....	2 for .09
472-920	Alcohol Bottle Cap & Wicks.....	.75
472-925	Alcohol Torch Complete (Bottle, Cap, Wick, Chain & Snuffer).....	.96
605-950	Wrench.....	.15

\* For No. 307-189 Tank Parts and No. 451-522 Pump Parts, See Page No. 65.

# Coleman Air-O-Gas Stove, Model Nos. 600, 601, 602



**AIR-O-GAS STOVE, MODEL No. 602**  
 Stove Model No. 601, same as above less High Back.  
 Stove Model No. 600, Same as above less High Back and Cabinet.



**BURNER AND GENERATOR PARTS FOR STOVE MODEL Nos. 600, 601, 602**

# Coleman Air-O-Gas Stove, Model Nos. 600, 601, 602

Parts No.	Name of Part	Net Retail Price
305-444	Grate (Open Type)	.60
*307-189	Tank Complete (With Fittings) (Black)	7.50
307-233	Generator Saddle, Clamp, Bolt & Nut (1 1/8" High)	.12
307-325	Auxiliary Valve Opener Knob	.09
307-345	Drain Plug Complete	.45
307-350	Auxiliary Burner Valve Core	.24
307-355	Auxiliary Burner Valve Opener (Less Knob)	.30
307-423	High Leg	.60
307-442	High Shelf Support (Right)	.75
307-443	High Shelf Support (Left)	.75
307-444	High Shelf Trim (Right)	.90
307-445	High Shelf Trim (Left)	.90
307-901	Alcohol Bottle (Only)	.12
307-930	Carbon Scraper	.15
308-171	Fuel Tube (1 1/4" Long)	.60
308-218	Gas Tip (Marked "A4")	.12
308-238	Cleaning Needle & Holder	2 for .09
308-262	Main Generator (Gas Tip Marked "A4")	2.40
308-322	Mixing Chamber	1.20
308-326	Burner Manifold (Casting Only)	3.00
308-355	Auxiliary Burner Valve Opener (Less Knob)	.45
308-407	Stove Top (Less Name Plate)	4.35
308-409	Drip Pan (Porcelain)	3.00
308-411	Burner Bracket	.15
308-440	Splasher	2.25
308-441	High Shelf	1.05
313-410	Tank Bracket (Black)	.15
324-323	Burner Cap	1.20
*451-522	Jumbo Pump	1.35
471-906	Alcohol Torch Wick	2 for .09
472-920	Alcohol Bottle Cap & Wicks	.75
472-925	Alcohol Torch Complete (Bottle, Cap, Wick, Chain & Snuffer)	.96
605-950	Wrench	.15

\* For No. 307-189 Tank Parts and No. 451-522 Pump Parts, See Page No. 65.



# Coleman Air-O-Gas One Gallon Stove Tanks, Nos. 324-191, 326-191, 331-191

Parts No.	Name of Part	Net Retail Price
117-144	Tip Protector & Screen	.15
216-538	Check Valve	.15
324-115	Combination Fuel & Air Gauge	1.80
†324-191	Tank Complete (With Fittings) (Gray)	9.90
324-353	Preheater Tank Valve Stem Complete	.30
324-357	Preheater Tank Valve Complete (Fuel Tip Marked "F")	.90
324-648	Indicator Handle & Screw (Right Hand Tank)	.15
324-649	Indicator Handle & Screw (Left Hand Tank)	.15
**324-653	Tank Fuel Valve Stem Complete	.30
324-657	Tank Fuel Valve Complete	.75
‡326-191	Tank Complete (With Fittings) (Black)	9.90
§331-191	Tank Complete (With Fittings) (Zinc Plated)	9.90
366-118	Fuel Tip (Marked "F")	.06
*366-379	Tank Preheater Ell Body Assembly	
474-109	Air Stem Spring	.03
474-503	Hex. Brass Nut (3/8", No. 27)	.06
474-509	Pump Leather	2 for .09
474-510	Pump Plunger Lower Washer	.03
474-512	Pump Handle	.09
474-515	Air Stem	.30
474-517	Handle Nut	.06
474-555	Pump Plunger Complete (Less Air Stem)	1.20
650-131	Filler Plug Cap (Only)	.45
650-135	Filler Plug Disc, Gasket & Screw	.30
650-136	Filler Plug Gasket	2 for .09
650-140	Filler Plug Complete	.75

\* Obsolete—Supply No. 324-357.  
 \*\* No. 324-653 Valve Stem illustrated in Fig. No. 3 cannot be used with No. 324-657 Tank Fuel Valve illustrated in Fig. Nos. 1 and 2.  
 † No. 324-191 Tank is used on Air-O-Gas Stove Model Nos. 324, 325, 328, 329 and Range Model No. 322. When ordering Tank for Range Model No. 322 specify if Left Hand Oven otherwise parts for Right Hand Oven will be shipped.  
 ‡ No. 326-191 Tank for use on Air-O-Gas Stove Model Nos. 326, 327, 330.  
 § No. 331-191 Tank for use on Air-O-Gas Stove Model No. 323.

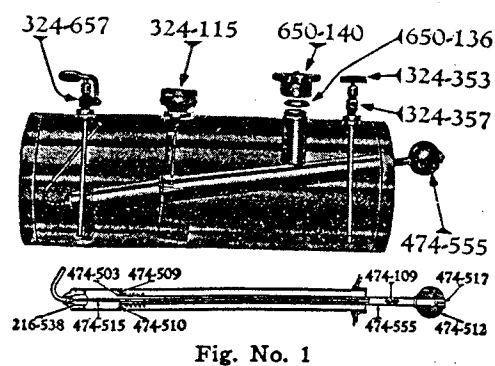


Fig. No. 1

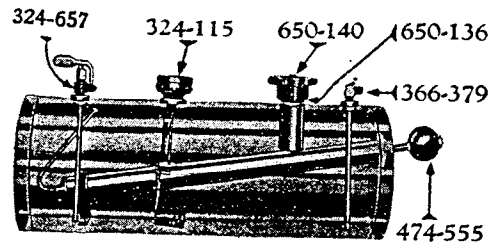


Fig. No. 2

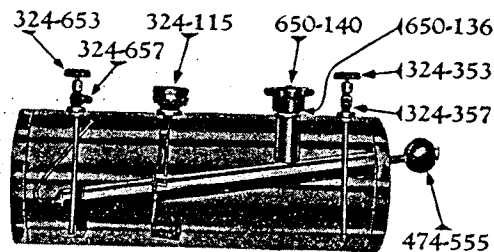
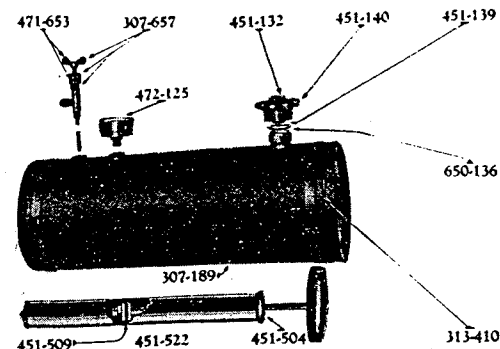


Fig. No. 3

Note: Fig. Nos. 2 and 3 illustrate older style tanks which have been replaced by tank illustrated in Fig. No. 1. These Stove Tanks have had several mechanical changes in fuel and preheater valves. Study the illustrations and check numbers carefully to avoid error in ordering parts, also state color of tank, whether gray, black or zinc plated, when ordering tank complete.

# Coleman Stove Tanks, Nos. 307-189, 310-189, 313-189 Jumbo Pump No. 451-522

## STOVE TANK No. 307-189 (Black)

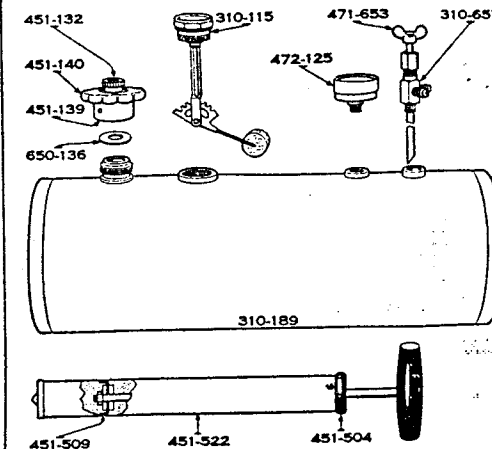


Parts No.	Name of Part	Net Retail Price
*307-189	Tank Complete (With Fittings) (Black)	7.50
307-657	Tank Fuel Valve Complete	.75
313-410	Tank Bracket (Black)	.15
451-132	Filler Plug Air Stem	.18
451-139	Filler Plug Core & Gasket	.30
451-140	Filler Plug Complete	.75
451-504	Pump Barrel Top Plug	.09
451-509	Pump Leather	.06
451-522	Jumbo Pump	1.35
471-653	Tank Fuel Valve Stem Complete	.30
472-125	Air Gauge	1.20
650-136	Filler Plug Gasket	2 for .09

\*No. 307-189 Tank illustrated is obsolete. No. 307-189 Tank is made by using No. 313-189 Tank (With 307-657 Tank Fuel Valve)

For Air-O-Gas Stove Model Nos. 200, 201, 202, 203, 204, 600, 601, 602.

## STOVE TANK Nos. 310-189 (Gray), 313-189 (Black)

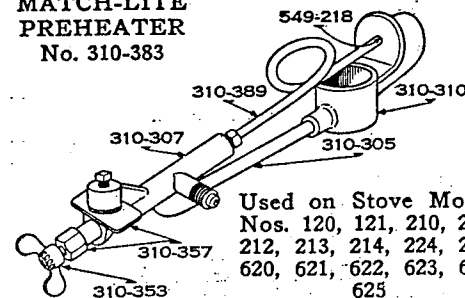


Parts No.	Name of Part	Net Retail Price
310-115	Fuel Gauge	1.65
*310-189	Tank Complete (With Fittings) (Gray)	7.50
310-657	Tank Fuel Valve Complete	1.05
**313-189	Tank Complete (With Fittings) (Black)	7.50
451-132	Filler Plug Air Stem	.18
451-139	Filler Plug Core & Gasket	.30
451-140	Filler Plug Complete	.75
451-504	Pump Barrel Top Plug	.09
451-509	Pump Leather	.06
451-522	Jumbo Pump	1.35
471-653	Tank Fuel Valve Stem Complete	.30
472-125	Air Gauge	1.20
650-136	Filler Plug Gasket	2 for .09

\*For Air-O-Gas Stove Model Nos. 210, 211, 212, 213, 214, 224, 225, 620, 621, 622, 623, 624, 625.

\*\*For Air-O-Gas Stove Model Nos. 120, 121.

## MATCH-LITE PREHEATER No. 310-383



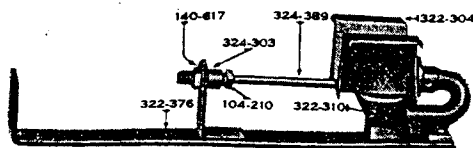
Used on Stove Model Nos. 120, 121, 210, 211, 212, 213, 214, 224, 225, 620, 621, 622, 623, 624, 625

Parts No.	Name of Part	Net Retail Price
310-305	Preheater Support Rod	.12
310-307	Preheater Valve Body (Only)	.60
310-310	Preheater Pan	.36
310-353	Preheater Valve Stem Complete	.30
310-357	Preheater Valve Complete	1.20
310-383	Preheater Complete (Less Fuel Tube)	1.80
310-389	Preheater Generator (Gas Tip Marked "N")	.36
549-218	Gas Tip (Marked "N")	.06

# Coleman Air-O-Gas Stove & Range

## Instant-Lite Preheaters

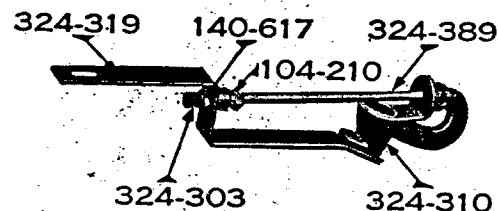
### INSTANT-LITE PREHEATER No. 322-383 Used on Range Model No. 322



Parts No.	Name of Part	Net Retail Price
104-210	Jamb Nut	.03
104-905	Gas Tip Cleaning Needle	.06
140-617	Lock Nut	.03
322-304	Preheater Flame Spreader	.30
322-310	Preheater Pan	.60
322-376	Preheater Bracket	.60
*322-383	Preheater Complete (Less Preheater Fuel Tube)	
324-303	Connection (Preheater Fuel Tube to Preheater Generator)	.15
324-389	Preheater Generator (Less Jamb Nut) (Gas Tip Marked "S")	.24
475-318	Gas Tip (Marked "S")	.06

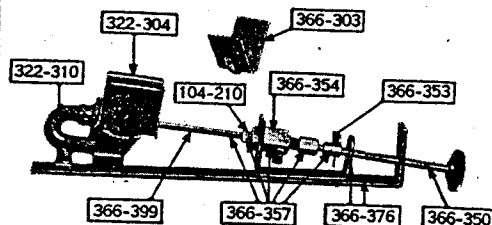
\*No. 322-383 Preheater Complete is obsolete. Order No. 366-383.

### INSTANT-LITE PREHEATER No. 324-383 Used on Stove Model Nos. 323, 324, 325, 326, 327, 328, 329, 330



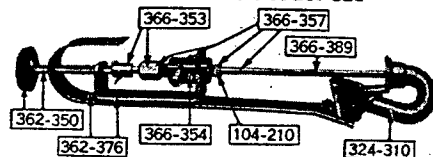
Parts No.	Name of Part	Net Retail Price
104-210	Jamb Nut	.03
104-905	Gas Tip Cleaning Needle	.06
140-617	Lock Nut	.03
324-303	Connection (Preheater Fuel Tube to Preheater Generator)	.15
324-310	Preheater Pan	.30
324-319	Preheater Bracket	.12
324-383	Preheater Complete (Less Preheater Fuel Tube)	.75
324-389	Preheater Generator (Less Jamb Nut) (Gas Tip Marked "S")	.24
475-318	Gas Tip (Marked "S")	.06

### INSTANT-LITE PREHEATER No. 366-383 Used on Range Model No. 322



Parts No.	Name of Part	Net Retail Price
104-210	Jamb Nut	.03
322-304	Preheater Flame Spreader	.30
322-310	Preheater Pan	.60
366-303	Flame Conductor	.15
366-350	Preheater Valve Stem Extension	.30
366-353	Preheater Valve Stem Complete (Less Extension)	.30
366-354	Preheater Valve Body	.30
366-357	Preheater Valve & Generator Complete (Less Extension)	1.35
366-376	Preheater Bracket	.60
366-383	Preheater Complete (Less Preheater Fuel Tube)	2.10
366-399	Preheater Generator (With Needle) (Less Jamb Nut) (Gas Tip Marked "S")	.36
475-318	Gas Tip (Marked "S")	.06

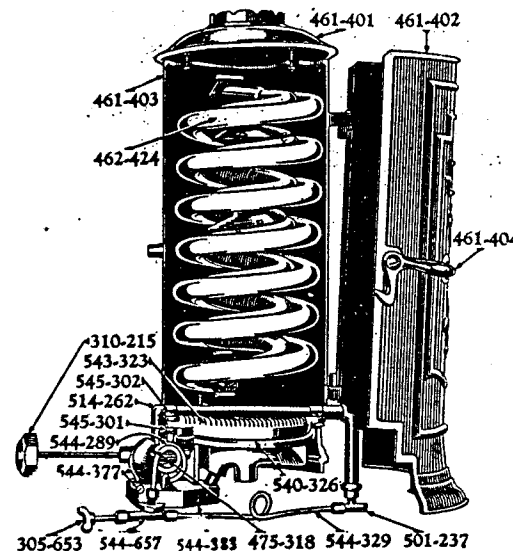
### INSTANT-LITE PREHEATER No. 362-383 Used on Stove Model 328



Parts No.	Name of Part	Net Retail Price
104-210	Jamb Nut	.03
324-310	Preheater Pan	.30
362-350	Preheater Valve Stem Extension	.18
362-376	Preheater Bracket	.48
362-383	Preheater Complete (Less Preheater Fuel Tube)	2.10
366-353	Preheater Valve Stem Complete (Less Extension)	.30
366-354	Preheater Valve Body	.30
366-357	Preheater Valve & Generator Complete (Less Extension)	1.35
366-399	Preheater Generator (With Needle) (Less Jamb Nut) (Gas Tip Marked "S")	.36
475-318	Gas Tip (Marked "S")	.06

# Coleman Water Heater, Model No. 1

(WITH TWO OR FOUR COILS)

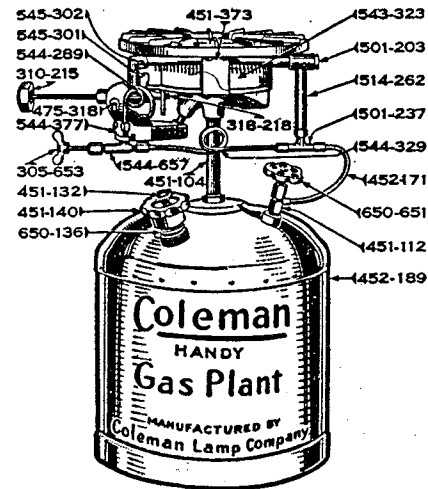


WATER HEATER, MODEL No. 1  
(With Two Coils)

Parts No.	Name of Part	Net Retail Price
102-143	Stove Bolt ( $\frac{1}{8}$ " x $\frac{1}{2}$ " R. H.)	.03
104-905	Gas Tip Cleaning Needle	.06
305-653	Valve Stem Complete	.30
310-215	White Porcelain Wheel	.15
318-218	Gas Tip (Marked "AO")	.12
401-417	Stove Bolt Nut ( $\frac{1}{8}$ " Square)	.03
461-401	Water Heater Jacket Top	.60
461-402	Water Heater Jacket Door (With Latch)	3.00
461-403	Water Heater Jacket Back	2.40
461-404	Water Heater Jacket Door Latch	.30
461-405	Water Heater Jacket Complete	5.25
*461-411	Water Heater Coil & Two Gaskets ( $\frac{3}{8}$ ") (Takes 4)	2.10
*461-415	Manifold, Four Gaskets & Lock Nut	1.50
461-427	Burner Bracket	.15
462-424	Coils & Manifolds (Two), Lock Nuts (Two) Assembled	8.25
471-238	Cleaning Needle & Holder	2 for .09
475-318	Gas Tip (Marked "S")	.06
501-203	Generator Clean-Out Plug	.09
501-223	Filler Coil & Asbestos Cord	.15
501-237	Generator Tee & Bushing	.30
514-211	Generator Valve Clean-Out Plug	.06
514-262	Generator (Gas Tip Marked "AO")	3.30
540-326	Burner Base	1.35
543-323	Burner Cap	1.50
544-289	Preheater Generator (Gas Tip Marked "S")	.42
544-329	Preheater Fuel Tube (10 $\frac{1}{4}$ " Long)	.36
544-377	Preheater Pan (With Flame Deflector)	.90
544-383	Preheater Complete (Less Preheater Fuel Tube)	1.80
544-657	Preheater Valve Complete	.75
545-301	Hexagon Brass Stove Bolt Nut ( $\frac{1}{8}$ ") (12-24)	2 for .06
545-302	Stove Bolt ( $\frac{1}{8}$ " x $\frac{3}{4}$ " R. H.)	2 for .06
545-324	Stove Bolt ( $\frac{1}{8}$ " x $\frac{3}{4}$ " F. H.)	2 for .06
605-950	Wrench	.15

\* For Water Heater Model No. 1 with Four Coils.

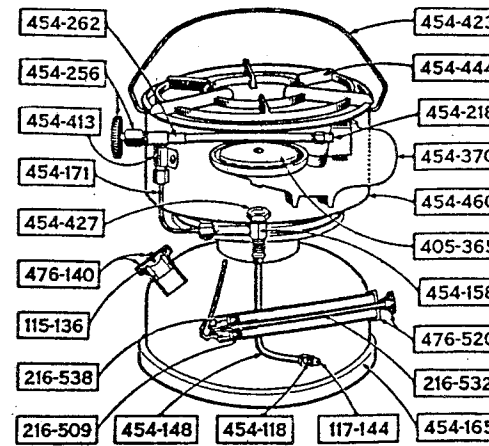
# Coleman Handy Gas Plant, Model No. 5052



Parts No.	Name of Part	Net Retail Price
104-905	Gas Tip Cleaning Needle	.06
305-653	Valve Stem Complete	.30
310-215	White Porcelain Wheel	.15
318-218	Gas Tip (Marked "AO")	.12
451-104	Iron Pipe Nipple (3/8"x4")	.12
451-112	Tank Fuel Valve Complete	1.20
451-132	Filler Plug Air Stem	.18
451-139	Filler Plug Core & Gasket	.30
451-140	Filler Plug Complete	.75
451-326	Burner Base	1.35
451-373	Grate & Brackets	1.50
451-399	Burner, Generator & Grate	9.75
451-504	Pump Barrel Top Plug	.09
451-509	Pump Leather	.06
451-522	Jumbo Pump	1.35
452-171	Fuel Tube (7" Long)	.15
452-189	Tank Complete (With Fittings)	9.00
471-238	Cleaning Needle & Holder	2 for .09
475-318	Gas Tip (Marked "S") (For Preheater Generator)	.06
501-203	Generator Clean-Out Plug	.09
501-223	Filler Coil & Asbestos Cord	.15
501-237	Generator Tee & Bushing	.30
514-211	Generator Valve Clean-Out Plug	.06
514-262	Generator (Gas Tip Marked "AO")	3.30
543-323	Burner Cap	1.50
544-289	Preheater Generator (Gas Tip Marked "S")	.42
544-329	Preheater Fuel Tube (10 1/4" Long)	.36
544-377	Preheater Pan (With Flame Deflector)	.90
544-383	Preheater Complete (Less Preheater Fuel Tube)	1.80
544-657	Preheater Valve Complete	.75
545-301	Hexagon Brass Stove Bolt Nut (5/8") (12-24)	2 for .06
545-302	Stove Bolt (5/8"x3/4" R. H.)	2 for .06
545-324	Stove Bolt (5/8"x3/4" F. H.)	2 for .06
605-950	Wrench	.15
650-136	Filler Plug Gasket	2 for .09
650-651	Valve Stem Complete	.45

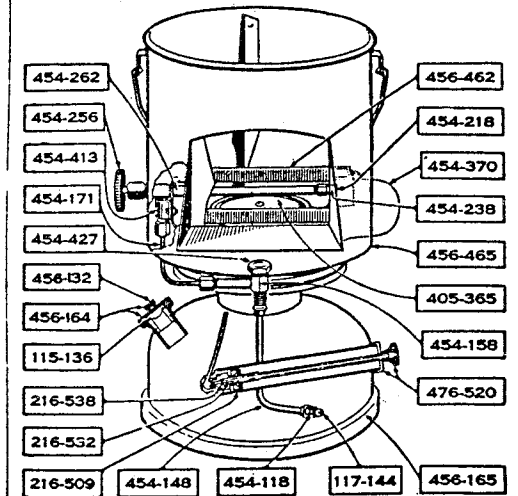
Special Handy Gas Plants have been made by substituting some of the Coleman Urn Burners shown on pages 70-71. Burner and Generator Repairs for such special Handy Gas Plants should be ordered from the parts list on pages 70-73.

# Coleman Utility Burner, Model No. 454 Coleman Soldering Furnace, Model No. 456



## COLEMAN UTILITY BURNER MODEL No. 454

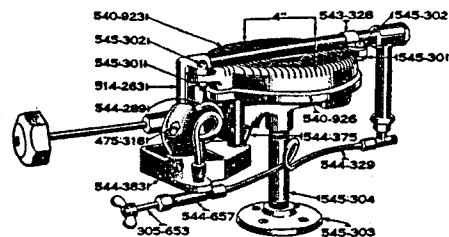
Parts No.	Name of Part	Net Retail Price
115-136	Filler Plug Gasket	2 for .06
117-144	Tip Protector & Screen	.15
216-509	Pump Leather	2 for .09
216-532	Air Stem	.15
216-538	Check Valve	.15
405-365	Burner Cap (2 Piece, Bolt & Nut)	.30
454-118	Fuel Tip (Marked "Y")	.06
454-148	Fuel Wire (Fuel Tip Marked "Y")	.54
454-158	Connection (Fuel Wire to Fuel Tube)	.45
454-165	Fount Complete	6.60
454-171	Fuel Tube (3 1/8" Long)	.30
454-218	Gas Tip (Marked "T")	.15
454-238	Cleaning Needle & Holder	2 for .09
454-256	Generator Valve Stem Complete	.60
454-262	Generator (Gas Tip Marked "T")	1.20
454-326	Burner Manifold (Less Burner Cap)	1.20
454-370	Burner Manifold & Burner Cap	1.50
454-404	Baffle Brace	.09
454-413	Generator Clamp	.06
454-423	Bail	.09
454-427	Base Lock Nut	.06
454-444	Grate	.45
454-460	Baffle	.60
476-140	Filler Plug Complete	.48
476-520	Pump Plunger Complete (Less Air Stem)	.60
605-950	Wrench	.15



## COLEMAN SOLDERING FURNACE MODEL No. 456

Parts No.	Name of Part	Net Retail Price
101-522	Pump	.75
115-136	Filler Plug Gasket	2 for .06
115-138	Filler Plug Core & Gasket	.30
117-144	Tip Protector & Screen	.15
216-509	Pump Leather	2 for .09
216-532	Air Stem	.15
216-538	Check Valve	.15
405-365	Burner Cap (2 Piece, Bolt & Nut)	.30
454-118	Fuel Tip (Marked "Y")	.06
454-148	Fuel Wire (Fuel Tip Marked "Y")	.54
454-158	Connection (Fuel Wire to Fuel Tube)	.45
454-171	Fuel Tube (3 1/8" Long)	.30
454-218	Gas Tip (Marked "T")	.15
454-238	Cleaning Needle & Holder	2 for .09
454-256	Generator Valve Stem Complete	.60
454-262	Generator (Gas Tip Marked "T")	1.20
454-326	Burner Manifold (Less Burner Cap)	1.20
454-370	Burner Manifold & Burner Cap	1.50
454-413	Generator Clamp	.06
454-427	Base Lock Nut	.06
456-132	Filler Plug Air Stem	.18
456-164	Filler Plug Complete	.60
456-165	Fount Complete	6.60
456-462	Iron Support Complete	.45
456-465	Frame & Bail Complete	2.10
476-520	Pump Plunger Complete (Less Air Stem)	.60
605-950	Wrench	.15

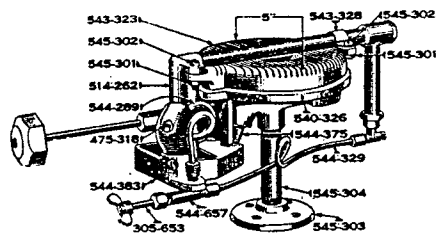
# Coleman Urn Burners, Model Nos. 404, 505



**URN BURNER, MODEL No. 404**  
(Uses 4-inch Burner Cap)

Parts No.	Name of Part	Net Retail Price
104-905	Gas Tip Cleaning Needle	.06
305-653	Valve Stem Complete	.30
475-318	Gas Tip (Marked "S")	.06
*514-263	Generator (Gas Tip Marked "4B")	3.30
540-923	Burner Cap	1.20
540-926	Burner Base	1.20
543-328	Generator Clamp	.03
544-289	Preheater Generator (Gas Tip Marked "S")	.42
544-329	Preheater Fuel Tube (10 3/4" Long)	.36
544-375	Preheater Nipple & Screen	.18
544-377	Preheater Pan (With Flame Deflector)	.90
544-383	Preheater Complete (Less Preheater Fuel Tube)	1.80
544-657	Preheater Valve Complete	.75
545-301	Hexagon Brass Stove Bolt Nut (1/8") (12-24)	2 for .06
545-302	Stove Bolt (1/8"x3/4" R. H.)	2 for .06
545-303	Stand Base	.18
545-304	Iron Pipe Nipple (3/8"x3")	.12
545-324	Stove Bolt (1/8"x3/4" F. H.)	2 for .06

\* For Parts List for No. 514-263 Generator, See Page No. 72.

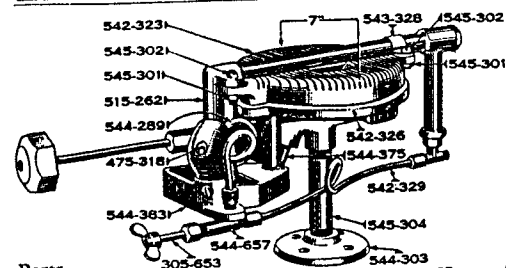


**URN BURNER, MODEL No. 505**  
(Uses 5-inch Burner Cap)

Parts No.	Name of Part	Net Retail Price
104-905	Gas Tip Cleaning Needle	.06
305-653	Valve Stem Complete	.30
475-318	Gas Tip (Marked "S")	.06
*514-262	Generator (Gas Tip Marked "AO")	3.30
540-326	Burner Base	1.35
543-323	Burner Cap	1.50
543-328	Generator Clamp	.03
544-289	Preheater Generator (Gas Tip Marked "S")	.42
544-329	Preheater Fuel Tube (10 3/4" Long)	.36
544-375	Preheater Nipple & Screen	.18
544-377	Preheater Pan (With Flame Deflector)	.90
544-383	Preheater Complete (Less Preheater Fuel Tube)	1.80
544-657	Preheater Valve Complete	.75
545-301	Hexagon Brass Stove Bolt Nut (1/8") (12-24)	2 for .06
545-302	Stove Bolt (1/8"x3/4" R. H.)	2 for .06
545-303	Stand Base	.18
545-304	Iron Pipe Nipple (3/8"x3")	.12
545-324	Stove Bolt (1/8"x3/4" F. H.)	2 for .06

\* For Parts List for No. 514-262 Generator, See Page No. 72.

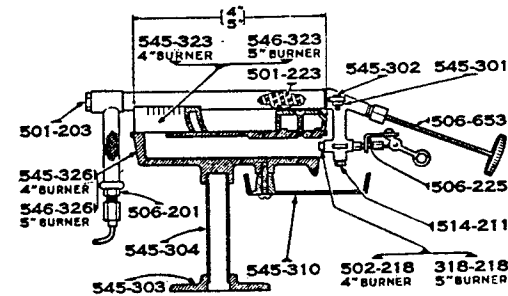
# Coleman Urn Burners, Model Nos. 707, 4, 5



**URN BURNER, MODEL No. 707**  
(Uses 7-inch Burner Cap)

Parts No.	Name of Part	Net Retail Price
104-905	Gas Tip Cleaning Needle	.06
305-653	Valve Stem Complete	.30
475-318	Gas Tip (Marked "S")	3.60
*515-262	Generator (Gas Tip Marked "MB")	2.16
542-323	Burner Cap	2.25
542-326	Burner Base	.36
542-329	Preheater Fuel Tube (12 3/4" Long)	.03
543-328	Generator Clamp	.42
544-289	Preheater Generator (Gas Tip Marked "S")	.18
544-375	Preheater Nipple & Screen	.90
544-377	Preheater Pan (With Flame Deflector)	1.80
544-383	Preheater Complete (Less Preheater Fuel Tube)	.75
544-657	Preheater Valve Complete	2 for .06
545-301	Hexagon Brass Stove Bolt Nut (1/8") (12-24)	2 for .06
545-302	Stove Bolt (1/8"x3/4" R. H.)	.18
545-303	Stand Base	.12
545-304	Iron Pipe Nipple (3/8"x3")	2 for .06
545-324	Stove Bolt (1/8"x3/4" F. H.)	

\* For Parts list for No. 515-262 Generator, See Page No. 72.



**URN BURNER, MODEL No. 4**  
(Uses 4-inch Burner Cap)

Parts No.	Name of Part	Net Retail Price
*507-262	Generator (Gas Tip Marked "4B")	3.30
545-301	Hexagon Brass Stove Bolt Nut (1/8") (12-24)	2 for .06
545-302	Stove Bolt (1/8"x3/4" R. H.)	2 for .06
545-303	Stand Base	.18
545-304	Iron Pipe Nipple (3/8"x3")	.12
545-310	Preheater Pan	.18
545-323	Burner Cap	1.20
545-324	Stove Bolt (1/8"x3/4" F. H.)	2 for .06
545-326	Burner Base	1.20

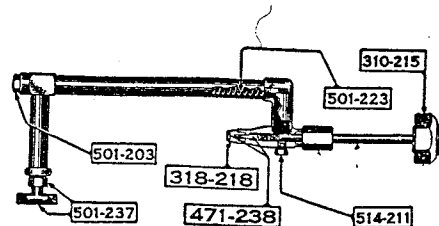
**URN BURNER, MODEL No. 5**  
(Uses 5-inch Burner Cap)

Parts No.	Name of Part	Net Retail Price
*506-262	Generator (Gas Tip Marked "AO")	3.30
545-301	Hexagon Brass Stove Bolt Nut (1/8") (12-24)	2 for .06
545-302	Stove Bolt (1/8"x3/4" R. H.)	2 for .06
545-303	Stand Base	.18
545-304	Iron Pipe Nipple (3/8"x3")	.12
545-310	Preheater Pan	.18
545-324	Stove Bolt (1/8"x3/4" F. H.)	2 for .06
546-323	Burner Cap	1.50
546-326	Burner Base	1.35

\* For Parts List for Nos. 506-262 and 507-262 Generators, See Page No. 73.

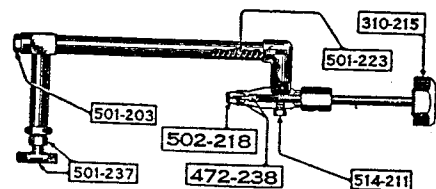
# Coleman Generator, Nos. 514-262, 514-263, 515-262

**GENERATOR No. 514-262**  
(Used on Urn Burner, Model Nos. 55, 505, 555)



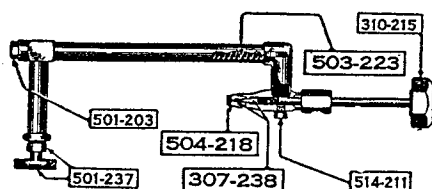
Parts No.	Name of Part	Net Retail Price
310-215	White Porcelain Wheel	.15
318-218	Gas Tip (Marked "AO")	.12
471-238	Cleaning Needle & Holder	2 for .09
501-203	Generator Clean-Out Plug	.09
501-223	Filler Coil & Asbestos Cord	.15
501-237	Generator Tee & Bushing	.30
514-211	Generator Valve Clean-Out Plug	.06
514-262	Generator (Gas Tip Marked "AO")	3.30

**GENERATOR No. 514-263**  
(Used on Urn Burner, Model Nos. 44, 404, 444)



Parts No.	Name of Part	Net Retail Price
310-215	White Porcelain Wheel	.15
472-238	Cleaning Needle & Holder	2 for .09
501-203	Generator Clean-Out Plug	.09
501-223	Filler Coil & Asbestos Cord	.15
501-237	Generator Tee & Bushing	.30
502-218	Gas Tip (Marked "4B")	.12
514-211	Generator Valve Clean-Out Plug	.06
514-263	Generator (Gas Tip Marked "4B")	3.30

**GENERATOR No. 515-262**  
(Used on Urn Burner, Model No. 707)

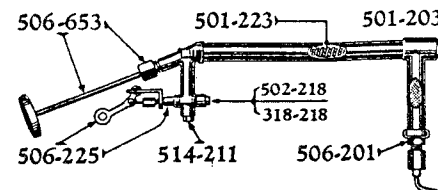


Parts No.	Name of Part	Net Retail Price
307-238	Cleaning Needle & Holder	2 for .09
310-215	White Porcelain Wheel	.15
501-203	Generator Clean-Out Plug	.09
501-237	Generator Tee & Bushing	.30
503-223	Filler Coil & Asbestos Cord	.15
504-218	Gas Tip (Marked "MB")	.12
514-211	Generator Valve Clean-Out Plug	.06
515-262	Generator (Gas Tip Marked "MB")	3.60

# Coleman Generator, Nos. 501-262, 502-262, 506-262, 507-262

**GENERATOR No. 506-262**  
(Old No. 5"SB)

Used on Urn Burner, Model No. 5



Parts No.	Name of Part	Net Retail Price
318-218	Gas Tip (Marked "AO")	.12
501-203	Generator Clean-Out Plug	.09
501-223	Filler Coil & Asbestos Cord	.15
506-201	Generator Connection	.15
506-225	Tip Cleaner Complete	.48
506-238	Cleaning Needle & Holder	.09
506-262	Generator (Gas Tip Marked "AO")	3.30
506-653	Generator Valve Stem Complete	.48
514-211	Generator Valve Clean-Out Plug	.06

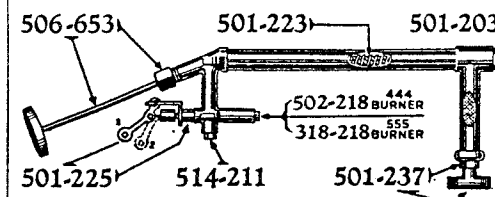
**GENERATOR No. 507-262**  
(Old No. 4"SB)

Used on Urn Burner, Model No. 4

Parts No.	Name of Part	Net Retail Price
501-203	Generator Clean-Out Plug	.09
501-223	Filler Coil & Asbestos Cord	.15
502-218	Gas Tip (Marked "4B")	.12
506-201	Generator Connection	.15
506-225	Tip Cleaner Complete	.48
506-238	Cleaning Needle & Holder	.09
506-653	Generator Valve Stem Complete	.48
507-262	Generator (Gas Tip Marked "4B")	3.30
514-211	Generator Valve Clean-Out Plug	.06

**GENERATOR No. 501-262**  
(Old No. 5BB-62)

Used on Urn Burners, Model Nos. 55, 505, 555



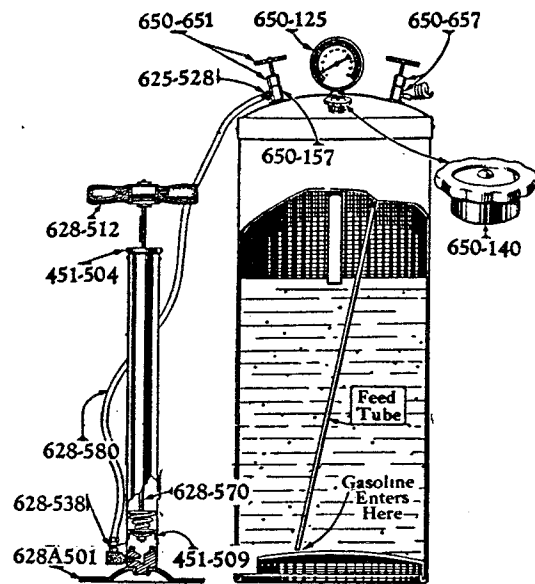
Parts No.	Name of Part	Net Retail Price
318-218	Gas Tip (Marked "AO")	.12
501-203	Generator Clean-Out Plug	.09
501-223	Filler Coil & Asbestos Cord	.15
501-225	Tip Cleaner Complete	.48
501-237	Generator Tee & Bushing	.30
501-238	Cleaning Needle & Holder	.09
501-262	Generator (Gas Tip Marked "AO")	3.30
506-653	Generator Valve Stem Complete	.48
514-211	Generator Valve Clean-Out Plug	.06

**GENERATOR No. 502-262**  
(Old No. 4BB-62)

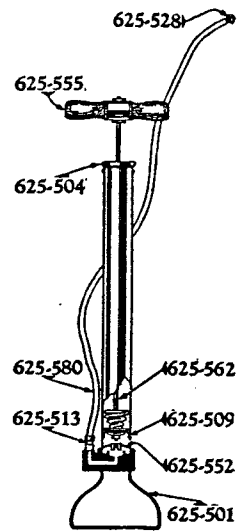
Used on Urn Burner, Model Nos. 44, 404, 444

Parts No.	Name of Part	Net Retail Price
501-203	Generator Clean-Out Plug	.09
501-223	Filler Coil & Asbestos Cord	.15
501-225	Tip Cleaner Complete	.48
501-237	Generator Tee & Bushing	.15
501-238	Cleaning Needle & Holder	.09
502-218	Gas Tip (Marked "4B")	.12
502-262	Generator (Gas Tip Marked "4B")	3.30
506-653	Generator Valve Stem Complete	.48
514-211	Generator Valve Clean-Out Plug	.06

# Coleman Outside Fuel Tank No. 652C and Pumps Nos. 625 (2SP) and 628



PUMP No. 628, TANK No. 652C



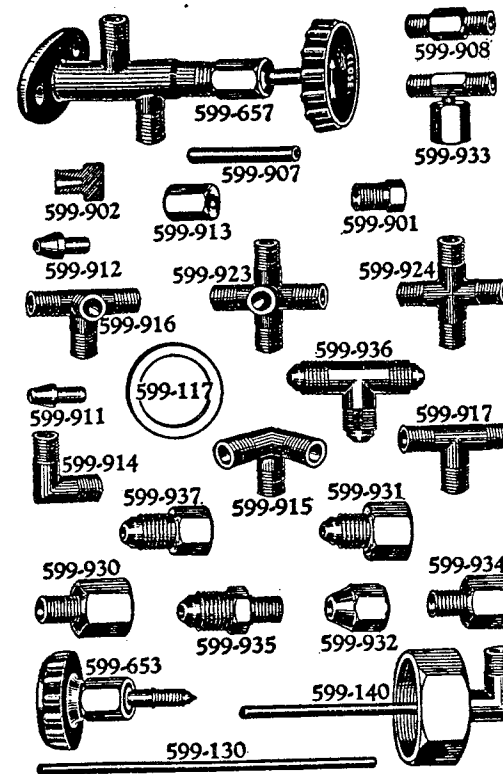
PUMP No. 625 (2SP)

Parts No.	Name of Part	Net Retail Price
451 - 504	Pump Barrel Top Plug	.09
451 - 509	Pump Leather	.06
605 - 950	Wrench	.15
625 - 501	Pump Base	.75
625 - 504	Pump Barrel Top Plug	.09
625 - 509	Pump Leather	.06
625 - 513	Connection (Hose to Pump Base)	.15
625 - 523	Hose Clamp	2 for .06
625 - 528	Connection (Hose to Air Valve)	.24
625 - 552	Check Valve	.15
625 - 555	Pump Handle, Clamp & Bushing	.45
625 - 562	Pump Plunger Complete	1.20
625 - 580	Hose, Connections & Clamps	1.20
*628 - 501	Pump Base (3/4" Center Hole)	.45
*628A501	Pump Base (1" Center Hole)	.45
628 - 512	Pump Handle	.15
628 - 526	Hose Connection Body	.24
628 - 538	Check Valve	.09
628 - 570	Pump Plunger Complete	.60
628 - 580	Hose, Connection, Check Valve & Clamps	1.20
650 - 125	Air Gauge	1.80
650 - 131	Filler Plug Cap (Only)	.45
650 - 135	Filler Plug Disc, Gasket & Screw	.30
650 - 136	Filler Plug Gasket	2 for .09
650 - 140	Filler Plug Complete	.75
650 - 157	Air Valve Complete	.75
650 - 651	Valve Stem Complete	.45
650 - 657	Tank Fuel Valve Complete	1.20

\*When ordering Nos. 628-501 or 628A501 Pump Base, specify diameter of Center Hole.

# Coleman Hollow Wire Connections

Special Connections, Fittings and Accessories



Parts No.	Name of Part	Net Retail Price
599-117	Filler Plug Gasket (Special Filler Plug)	2 for .09
*599-130	Hollow Wire (Only) (No. 2)	Per foot .09
599-140	Special Filler Plug Complete (With Hollow Wire Connection)	1.05
599-653	Valve Stem Complete	.75
599-657	Wall Valve Complete	.06
599-901	Hollow Wire Male Plug (Open)	.06
599-902	Hollow Wire Male Plug (Blind)	.03
599-907	Hollow Wire Splicing Sleeve	.12
599-908	Hollow Wire Nipple	.03
599-911	Hollow Wire Jamb (Blind)	.03
599-912	Hollow Wire Jamb	.03
599-913	Hollow Wire Jamb Nut	.12
599-914	Hollow Wire Ell	.18
599-915	Hollow Wire Corner Tee	.24
599-916	Hollow Wire Tee (With Drop)	.18
599-917	Hollow Wire Tee	.18
599-920	Hollow Wire Ell (With Nail Plate)	.24
599-921	Hollow Wire Tee (With Nail Plate)	.30
599-923	Hollow Wire Cross (With Drop)	.24
599-924	Hollow Wire Cross	.24
599-925	Reducing Nipple (1/8" I. P. S. Thread Male to Hollow Wire)	.24
599-926	Reducing Coupling-Nipple (1/8" I. P. S. Thread Female to Hollow Wire)	.24
599-927	Reducing Nipple (1/4" I. P. S. Thread Male to Hollow Wire)	.24
599-928	Reducing Coupling-Nipple (1/4" I. P. S. Thread Female to Hollow Wire)	.24
599-930	Reducing Coupling-Nipple (1/4" S. A. E. Female to Hollow Wire Jamb Nut)	.24

(Continued on Next Page)

# Coleman Hollow Wire Connections,

Special Connections, Fittings and Accessories

Parts No.	Name of Part	Net Retail Price
599-931	Reducing Coupling-Nipple ( $\frac{1}{4}$ " S. A. E. Female to $\frac{1}{8}$ " S. A. E. Male)	.24
599-932	Jamb Nut ( $\frac{1}{8}$ " S. A. E.)	.12
599-933	Hollow Wire Nipple (With Jamb & Nut Drop)	.30
599-934	Reducing Coupling-Nipple ( $\frac{1}{8}$ " S. A. E. Female to Hollow Wire Jamb Nut)	.24
599-935	Reducing Nipple ( $\frac{1}{4}$ " S. A. E. Male to Hollow Wire Jamb Nut)	.24
599-936	Tee ( $\frac{1}{8}$ " S. A. E.)	.24
599-937	Reducing Nipple-Coupling ( $\frac{1}{4}$ " S. A. E. Male to $\frac{1}{8}$ " S. A. E. Female)	.24
599-940	Tee ( $\frac{1}{8}$ " S. A. E. Nickel Plated)	.24
T23	Filler Plug Complete (Male)	.75
	—Silver Solder	Per oz. 1.80

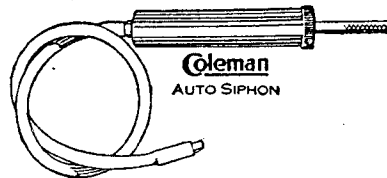
\*When No. 599-130 Hollow Wire (No. 2) is wanted with Jamb Nuts and Jambns brazed used price per foot, and add 12c for each Jamb Nut and Jamb brazed.

## Parts List for COLEMAN SUCTION PUMP



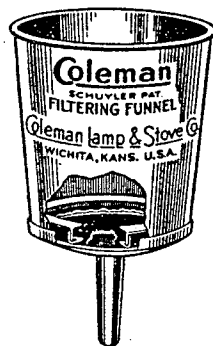
Parts No.	Name of Part	Net Retail Price
451-504	Pump Barrel Top Plug	.09
451-509	Pump Leather	.06
627-580	Pump Plunger Complete	.45
627-587	Suction Tube & Jamb Nut	.15
627-590	Suction Pump	1.35

## Parts List for COLEMAN LIQUID SIPHON



630-509	Pump Leather	2 for	.09
630-545	Siphon		1.00

## Parts List for COLEMAN (SCHUYLER PATENT) FILTERING FUNNELS



No. 0 Filtering Funnel	.60
No. 1 Filtering Funnel	1.20
Pad for No. 0 Funnel	.30
Pad for No. 1 Funnel	.60

# Always Use Good GASOLINE

1. Always keep gasoline (to be used as fuel for lighting, heating and cooking devices) in a closed container in a cool dark place. If gasoline is exposed to air, sunlight or heat it becomes sour and develops a gummy deposit which quickly stops up generators, gas and fuel tips.

2. Buy a fresh supply often—do not keep gasoline until it is old and "sour."

3. Clean out the fount or fuel tank occasionally. This is easily done with a Coleman Suction Pump. A good thorough draining will remove all dirt, water and "sour" gasoline.

4. Thoroughly preheat the generator of the lamp, stove or heater. Follow filling, pumping, preheating, and lighting directions carefully.

5. Keep the gas tip open. Clean occasionally with the small special gas-tip cleaning needle furnished with or attached to each Coleman appliance.

6. Use only clean gasoline, any good grade, but be sure to strain it through a finely woven cloth or, better still, use a Coleman (Schuyler Patent) Filter Funnel, which removes water and other impurities from the fuel.

7. Use only regular motor gasoline. Most motor fuel sold as anti-knock or high compression, whether colored or not, contains substances which gum up generators, gas and fuel tips.

## How to Know Good Gasoline

Gasoline, good for use in pressure appliances, must be clean and without offensive odor. It will evaporate quickly and completely without leaving a gummy residue. A simple test for these qualities may be made by placing 8 or 10 drops of different gasolines on pieces of white paper. The best gasoline will evaporate quickly, will have very little odor, and, if not dyed, will leave little, if any, stain on the paper.

Approved lists of gasolines for use in gasoline pressure appliances are issued by the United Laboratories, at 240 North St. Francis St., Wichita, Kans. This laboratory is maintained by the leading gasoline appliance manufacturers for your benefit. Write for the latest free bulletin covering your state.

Exercising care in the selection of approved gasolines and properly filtering, (See Paragraph 6 above), will insure the utmost service and economy in the operation of your gasoline pressure appliance.

Ethyl gasoline must not be used in gasoline pressure appliances, as it clogs generators rapidly and gives off dangerous fumes.