

Vapalux®



INSTRUCTION GUIDE

VAPALUX 300

## **Trademark information**

VAPALUX® and WILLIS & BATES® are registered trademarks of Vapalux Co., Ltd. Korea.

## **NOTICE**

No part of the manuals included with this product may be reproduced, transmitted, transcribed, stored in a retrieval system, or translated into any language in any form, by any means, without Vapalux's prior written permission.

Vapalux reserves the right to change the specifications of the hardware described in these manuals at any time and without prior notice.

Vapalux will not be held liable for any damages resulting from the use of this product.

For more information about VAPALUX accessories, please contact a local authorizer VAPALUX dealer.

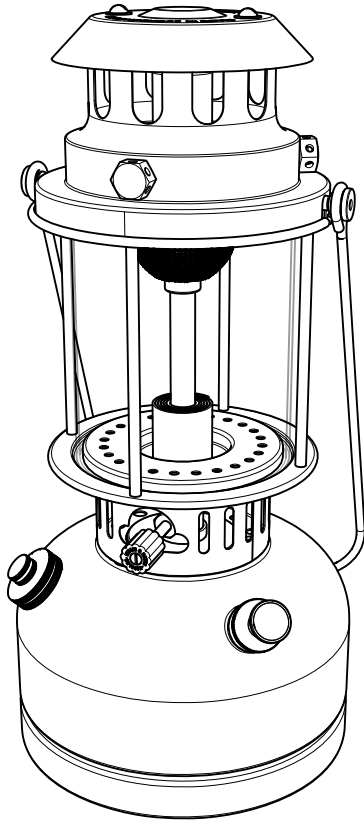
While every effort has been made to ensure that the information in these manuals is accurate and complete,

We would appreciate it were you to bring any errors or omissions to the attention of the Vapalux representative in your area (address provided separately).

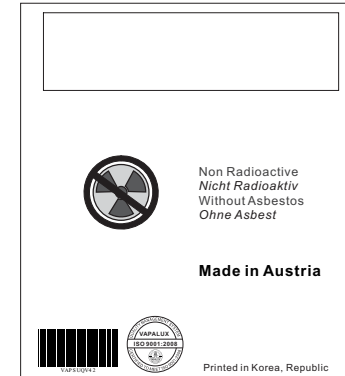
# PACKAGE CONTENT

Be sure all items listed here were included with your Lamp.

Light Shades are sold separately.



300 Hurricane Lantern



2 Mantles  
(one fitted on the lantern)

## WARNING NOTICE



WHEN USING VAPALUX® LAMPS, OR ANY OTHER KEROSENE(PARAFFIN) OPERATED APPLIANCE, ALWAYS ENSURE THAT THE ROOM IS REASONABLY VENTILATED.

# OVERVIEW

Thank you for your purchase of a VAPALUX Hurricane Pressure Lamp.

Please be sure to read all instructions thoroughly to get the most from the lamp, and keep them where they will be read by all those who use the product.

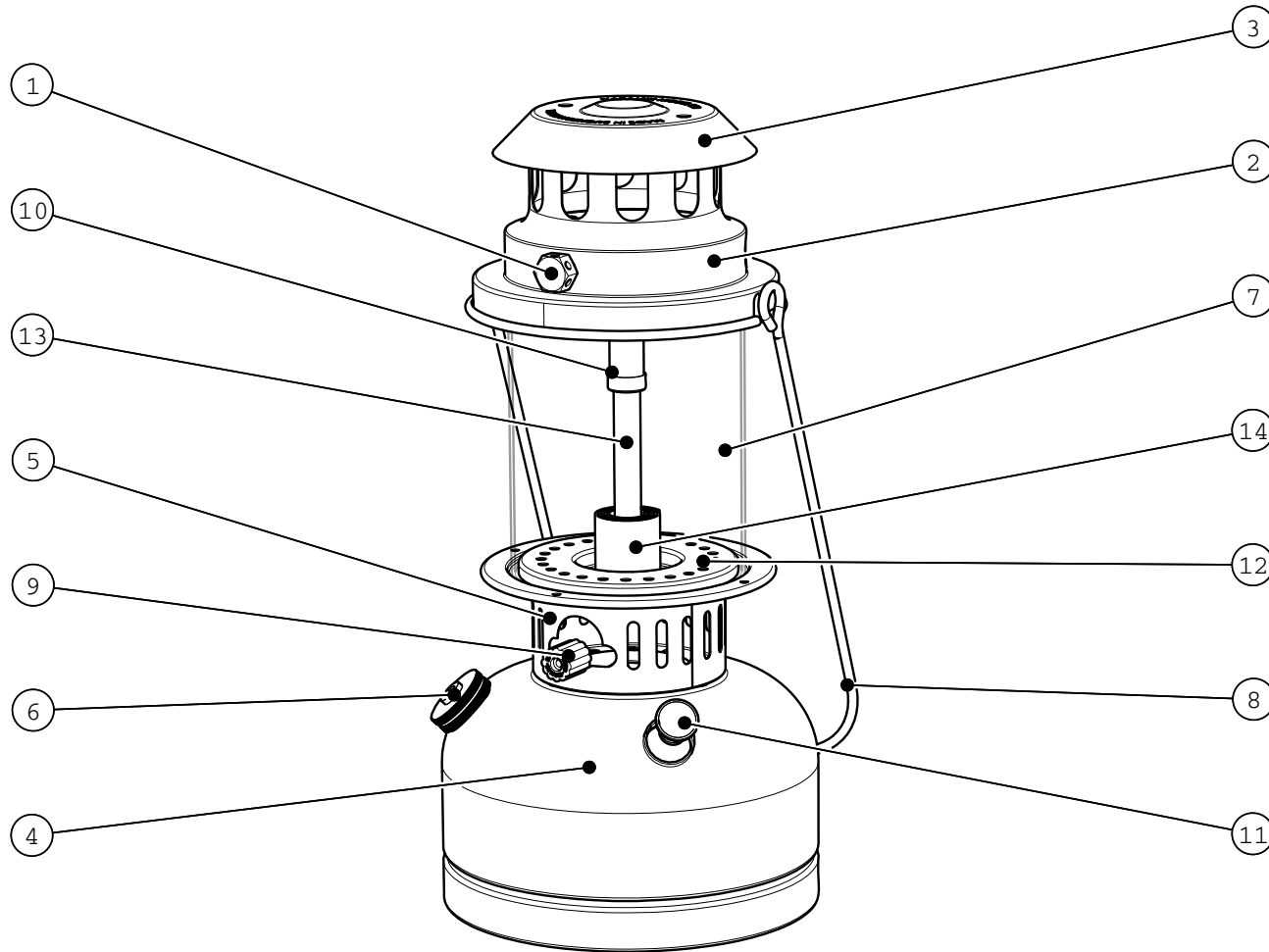
## **Use Only Vapalux Brand Accessories**

Only Vapalux brand accessories certified by Vapalux specifically for use with your VAPALUX Hurricane Pressure Lamp are engineered and proven to operate within its operational and safety requirements.

THE USE OF NON-VAPALUX ACCESSORIES COULD DAMAGE YOUR LAMP AND MAY VOID YOUR VAPALUX WARRANTY.

# Getting to know the VAPALUX Lantern

Take a few moments to familiarize yourself with Lamp. You may find it helpful to bookmark this section and refer to it as you read through the rest of the manual.



Description	BOM ID	Qty
Air Button	1	1
Burner Hood	2	1
Container	4	1

Description	BOM ID	Qty
Cowl	3	1
Frame Base	5	1
Fuel Cap	6	1

Description	BOM ID	Qty
Glass	7	1
Handle	8	1
Jet Cleaner Knob	9	1

Description	BOM ID	Qty
Mantle Support	10	1
Pump Unit	11	1
Spirit Cup	12	1

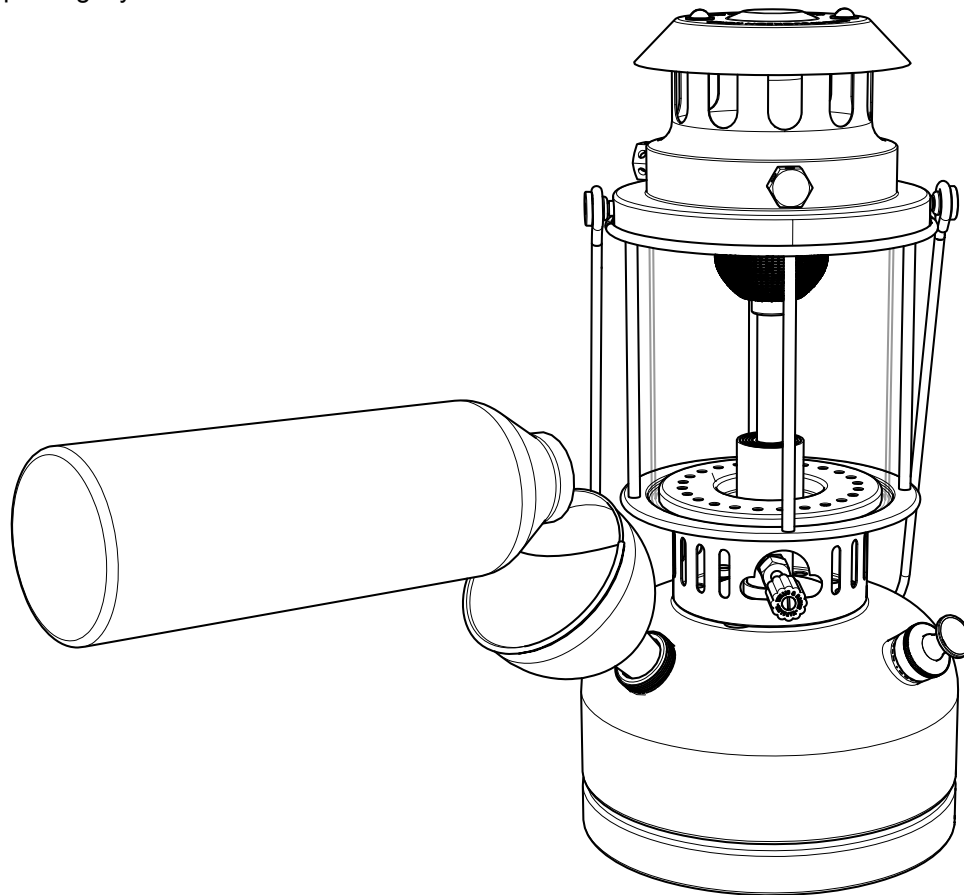
Description	BOM ID	Qty
Vaporizer	13	1
Wick	14	1

## To Fill Lamp

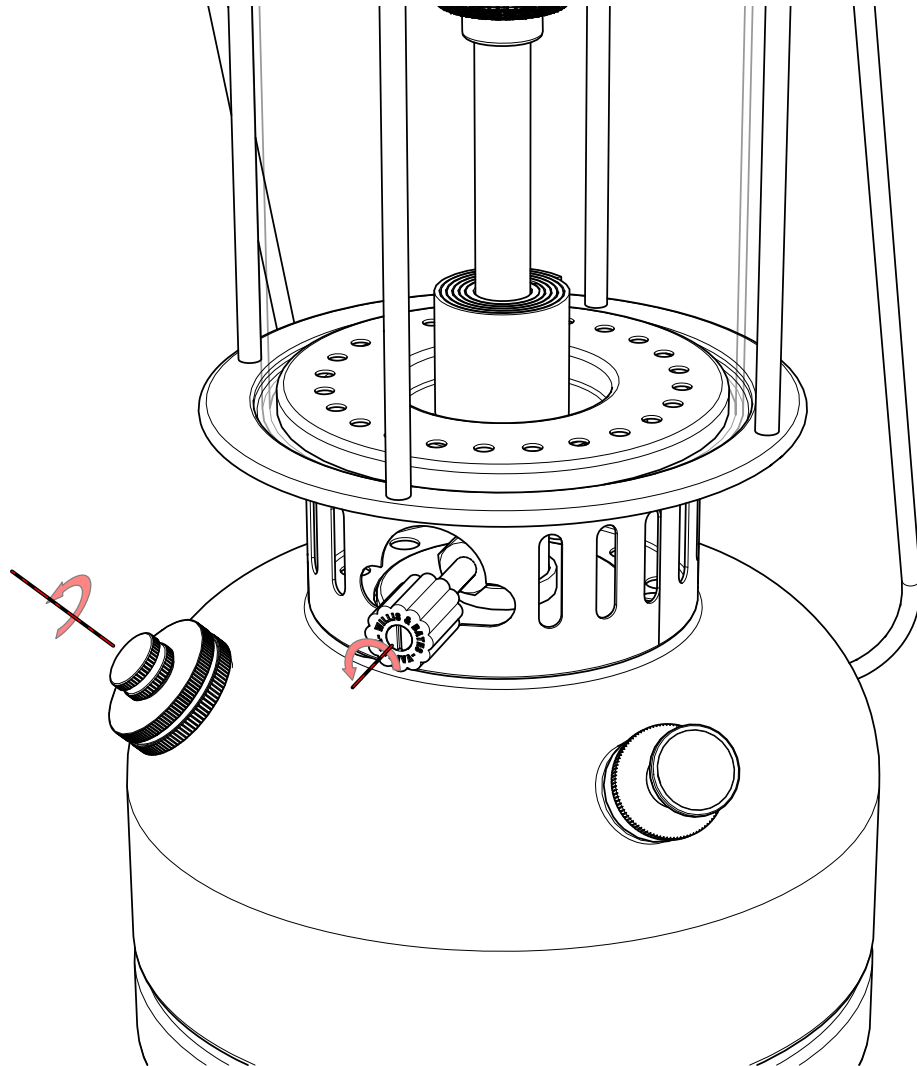
Unscrew filler cap (87) and fill with clean paraffin (kerosene) - never use petrol. Capacity approx. 0.8 litre.

Do not tilt lamp when filling.

Screw filler cap on tightly.



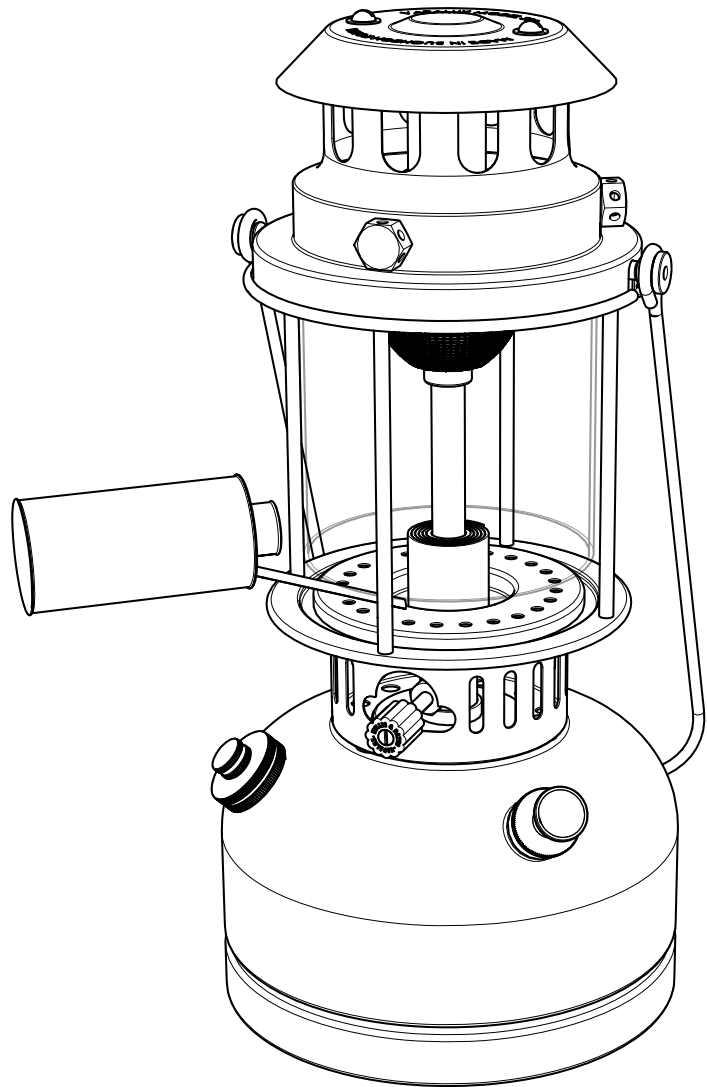
## To Light Lamp



Slacken air-release screw (6).

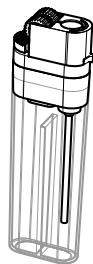
Turn knob on jet cleaner (74) anti-clockwise.

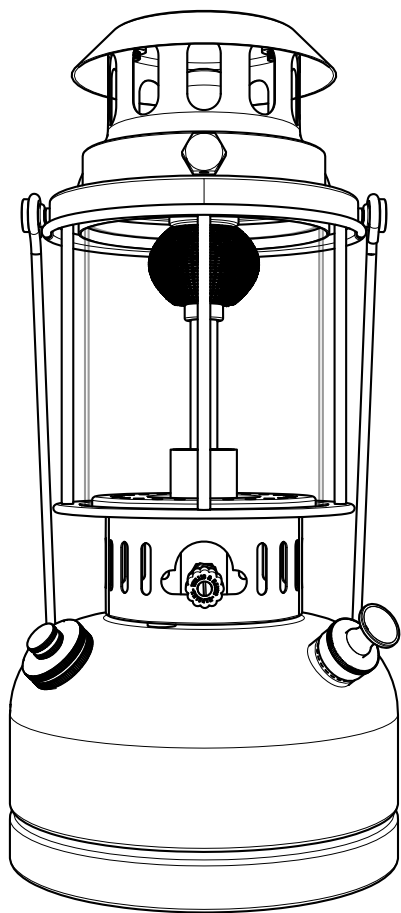




Without removing hood, raise glass (V60).

Completely fill pre-heat cup (72) with jelly or spirit not petrol.



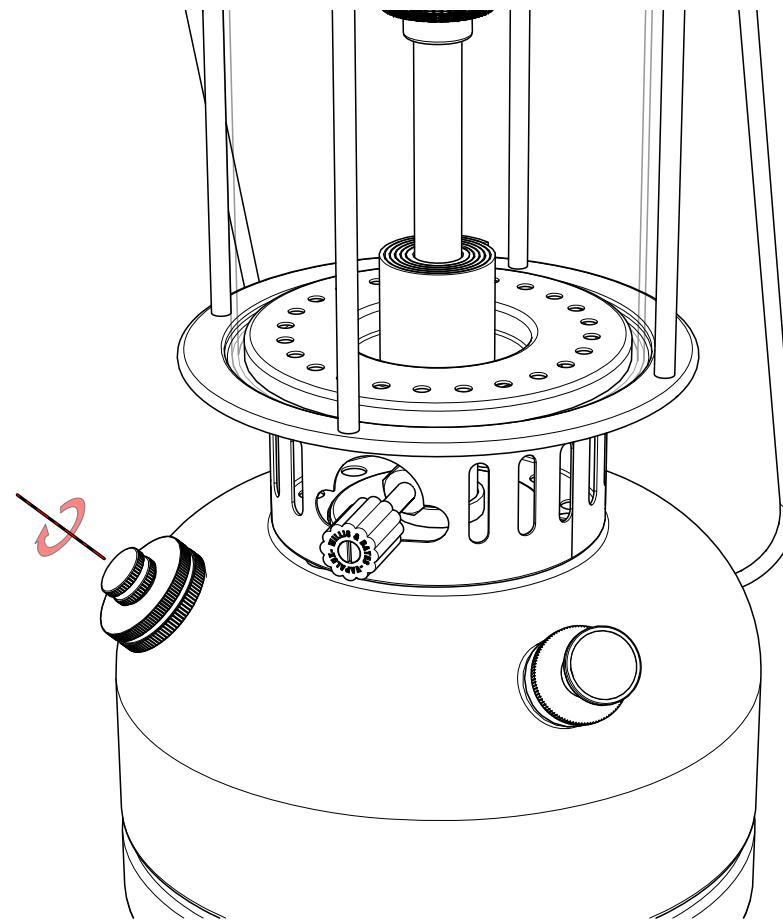


Allow to burn until fuel is almost consumed (about 3 minutes).

Tighten air-release screw and operate pump (16) until mantle lights (about 12 strokes).

After mantle lights, allow to burn for half minute. Then pump to obtain maximum light 20/30 strokes).

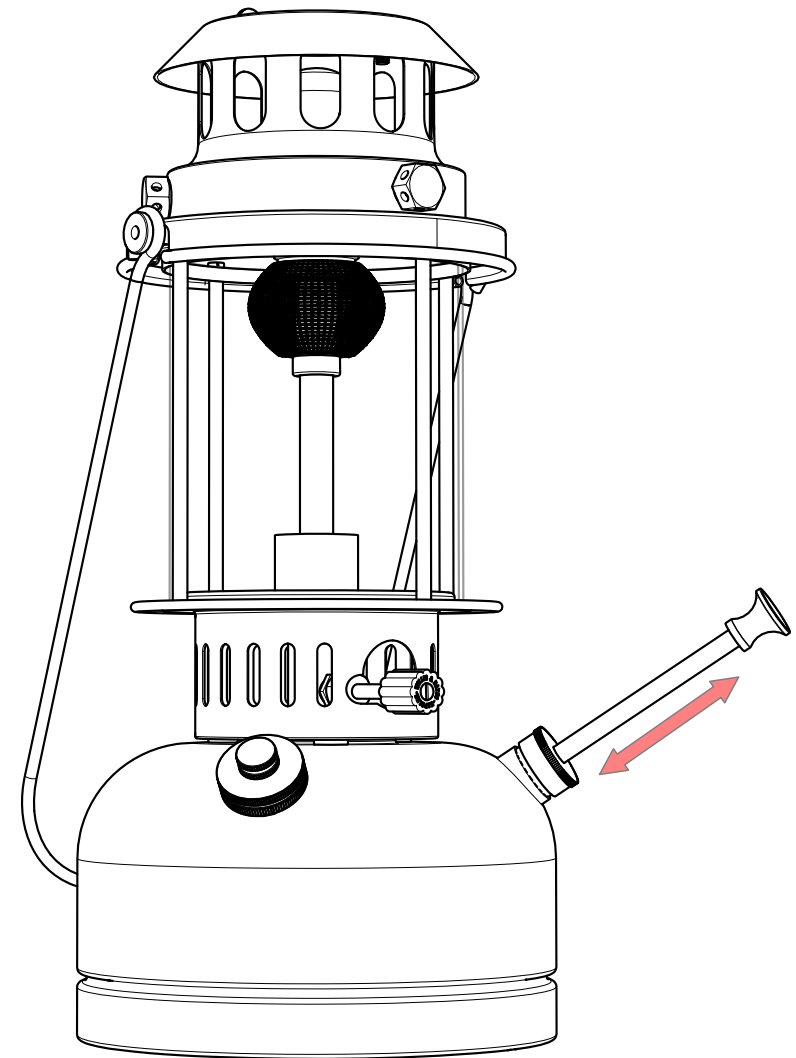
**There is no advantage in over-pumping!!!**



If the mantle flames on starting to pump, immediately turn knob of jet cleaner (74) a half turn clockwise and quickly release pressure by unscrewing air release screw (6).

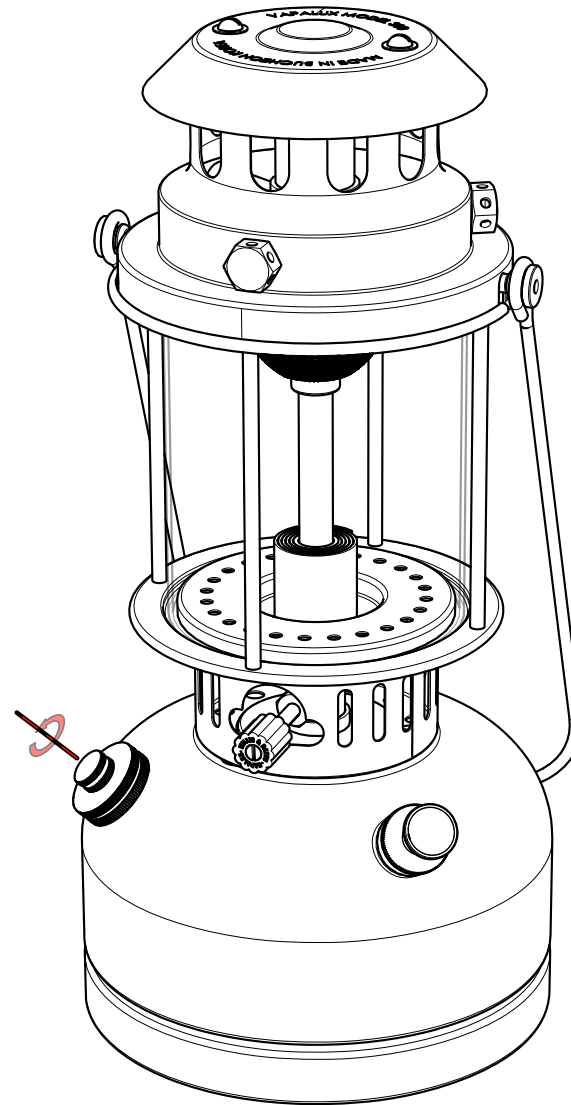
The reason for mantle not lighting correctly is that insufficient time has been allowed to pre-heat the vaporizer.

Repeat lighting operations as above.



## To Extinguish Lamp

Slacken air release screw (6) and leave it unscrewed.



**1. To fit new vaporizer**

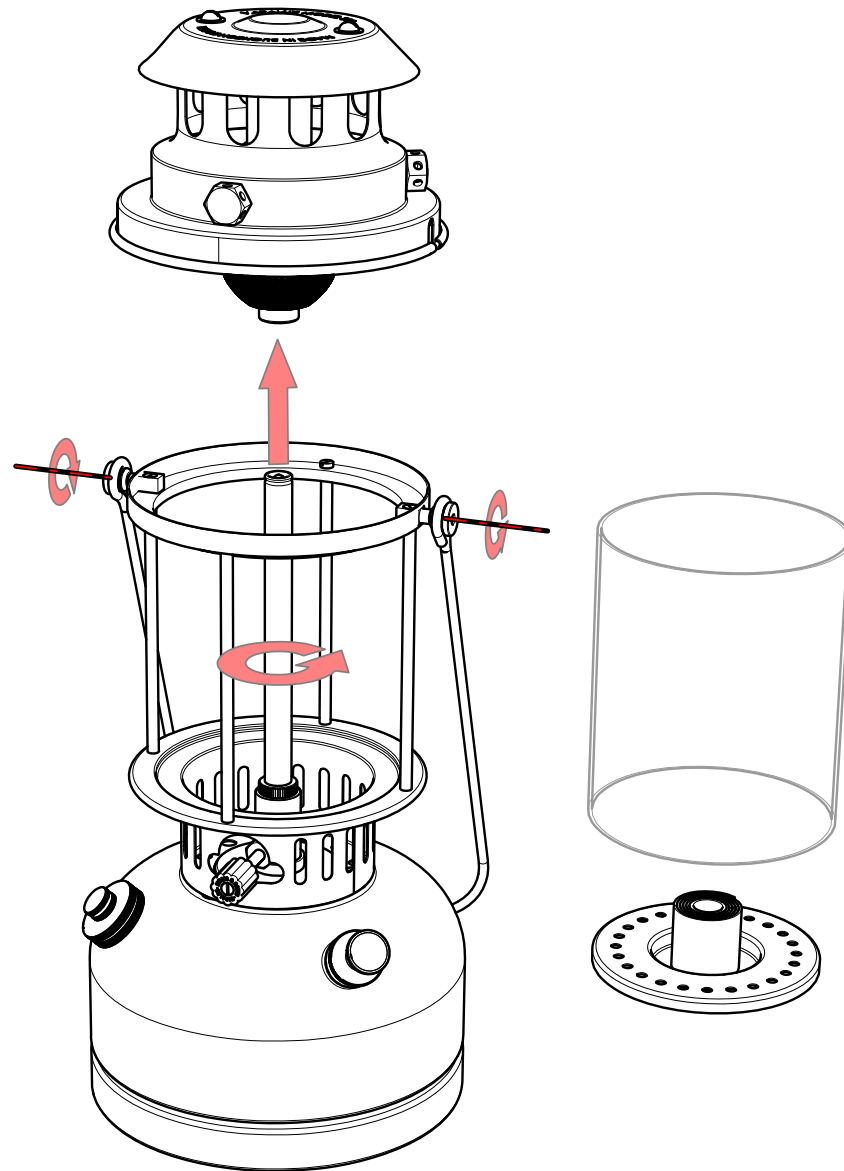
**2. To fit new mantle**

**3. Washers**

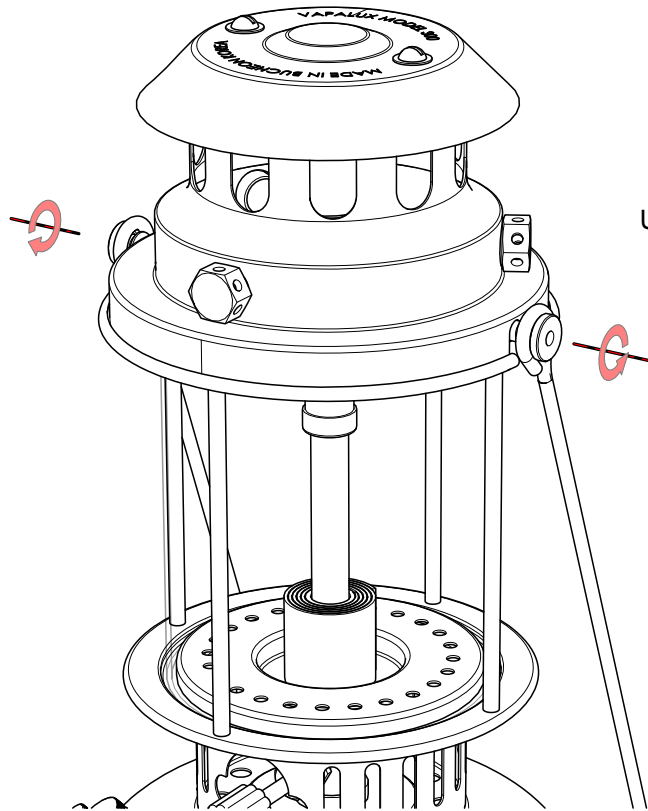
**4. Spare Parts**

## To fit new vaporizer

1. Unscrew swivel pins
2. Lift up hood unit
3. Take out glass
4. Take out spirit cup
5. Unscrew vaporizer and replace it

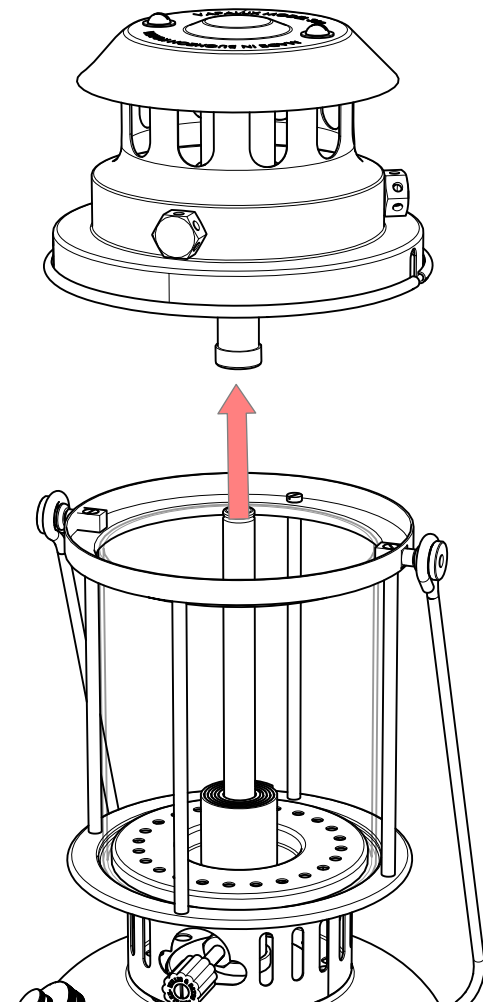


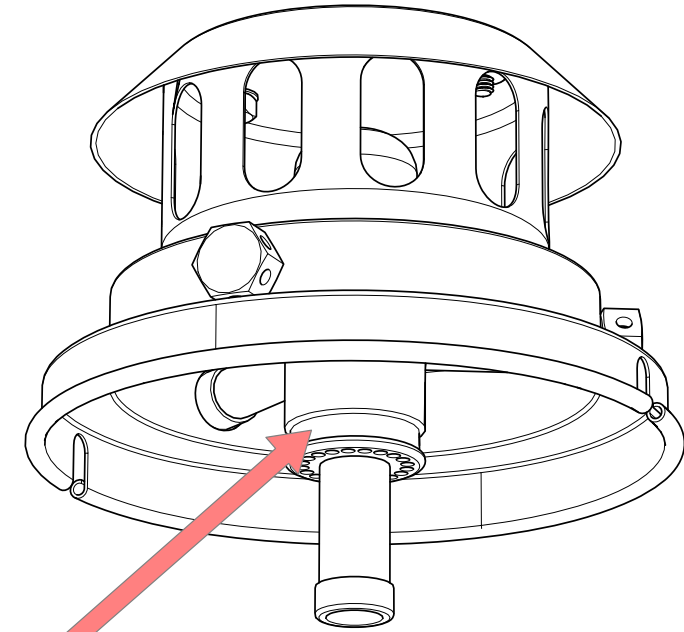
## To fit new mantle



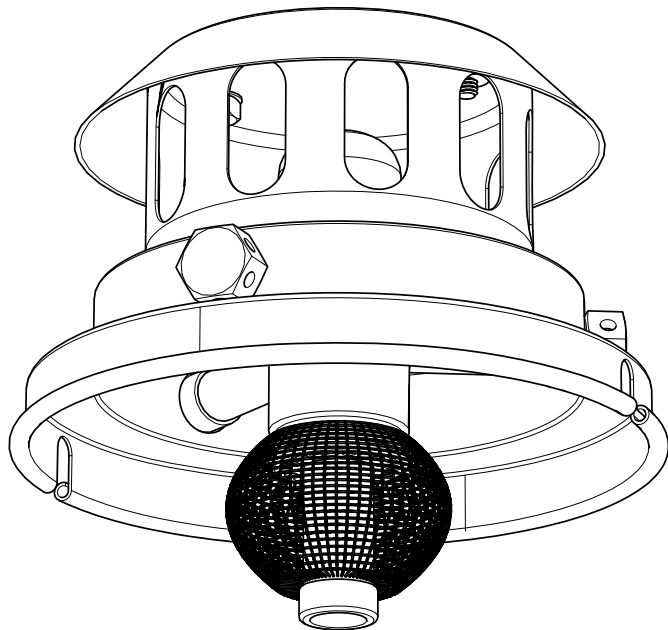
Unscrew swivel pins.

Remove hood and burner complete. Unscrew mantle support (29).  
Fit new mantle in accordance with instruction in mantle envelope.

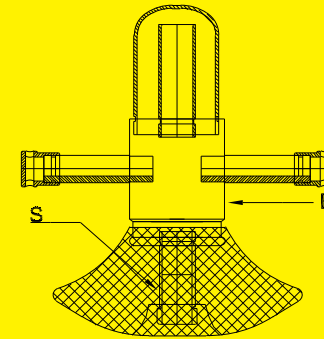




Place upper part of the mantle



## FITTING INSTRUCTIONS VAPALUX MANTLE Ref. V42.

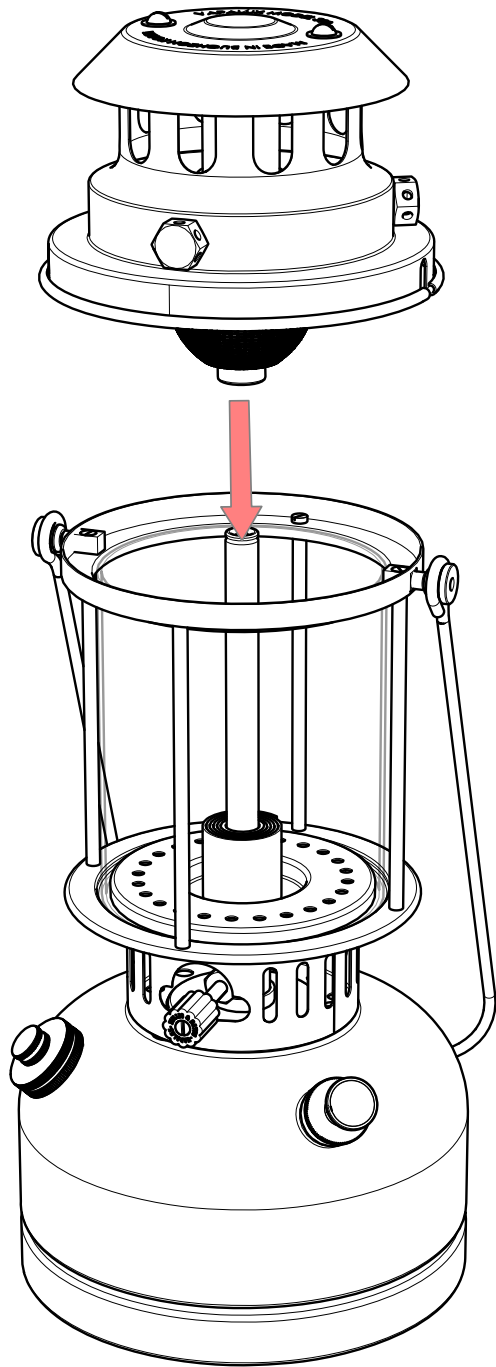


### INSTRUCTIONS FOR FITTING

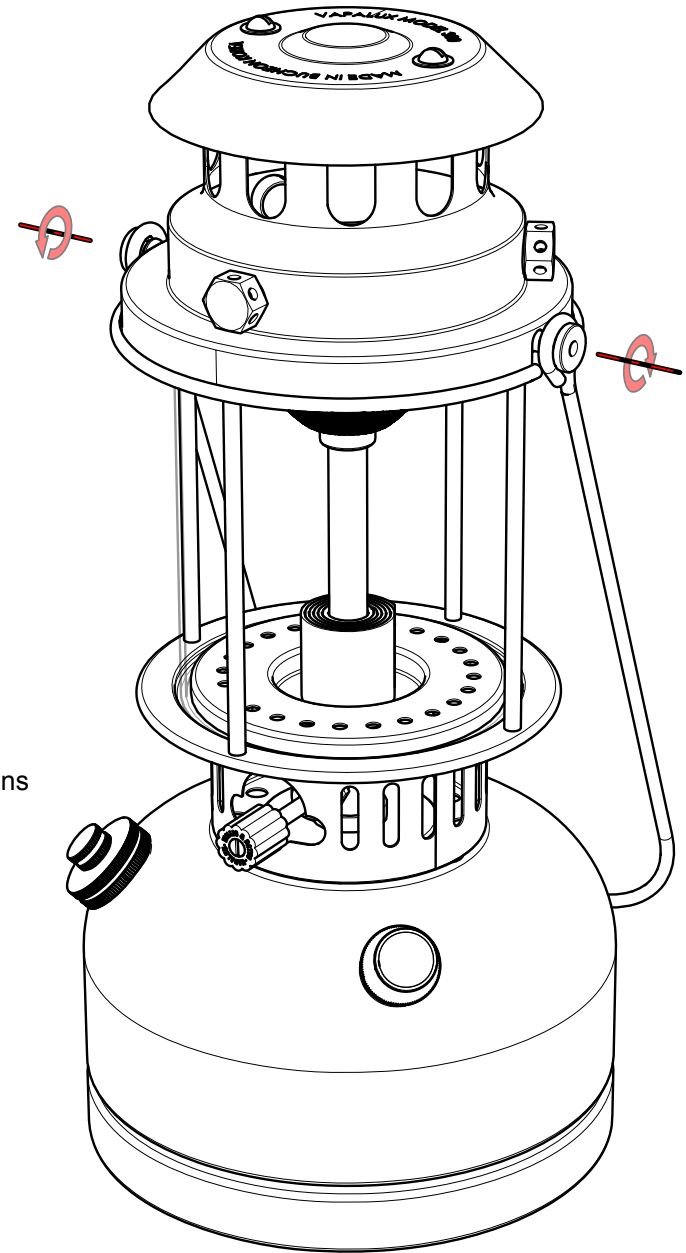
Unscrew the Tubular Mantle Support "S" from the Burner Body "B". Pass the smaller end of support "S" through the smaller opening in the Mantle and screw "S" into position again. Stretch the larger opening of the Mantle over the ridge on Burner Body "B" so that it rests in the groove provided. Arrange the Mantle evenly and see that it is not twisted. There is no need to burn the Mantle off as the Mantle will automatically shape itself when the lamp is lighted.

BS/2011/JPS/DW/EN





Place hood



Screw Swivel Pins

# WASHERS



1" Filler Cap  
Washer V.811  
A1202



Jet Cleaner  
Washer V.23  
A1046



Pump Valve  
Washer(EXT.)  
V.33  
A1042



Vaporizer Washer  
V.44  
A1056



Air Release Screw  
Washer V.9  
A1044



JC Gland Nut  
Washer V.28  
A1053



Pump Valve  
Washer (INT.)  
V.34  
A1040



Pump Leather  
A1039

1" Filler Cap Washer

Jet Cleaner Washer

Pump Valve Washer (EXT.)

Vaporizer Washer

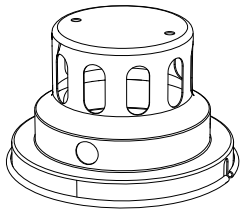
Air Release Screw Washer

JC Gland Nut Washer

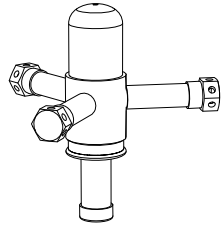
Pump Valve Washer (INT.)

Pump Leather

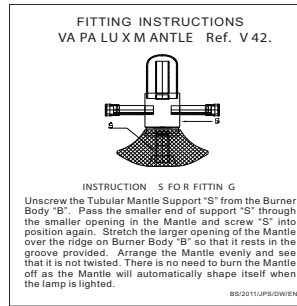
# Spare Parts



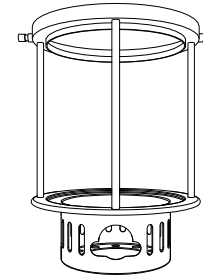
Hood V78S



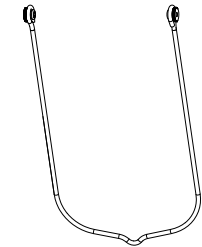
Burner V56



Mantle V42



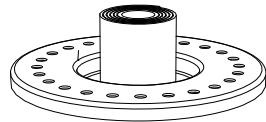
Frame Base



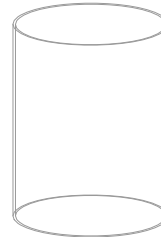
Brass Handle V10B



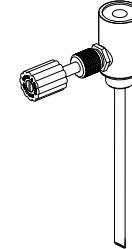
Vaporizer V40



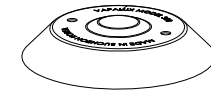
Spirit Cup



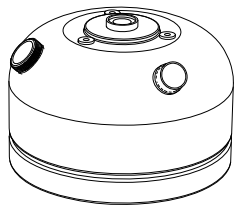
Glass V60



Jet Cleaner V74



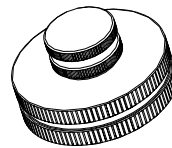
Cowl



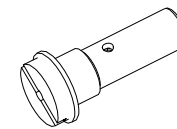
Container



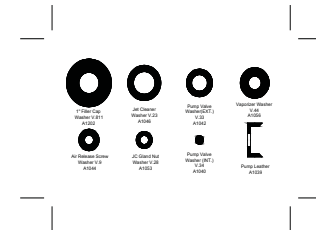
Pump Plunger V16



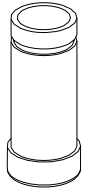
1" Filler Cap V87



Pump Valve V15



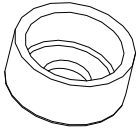
Washer Set V5



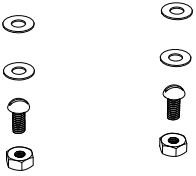
Mantle Support V29



Fuel Funnel V3

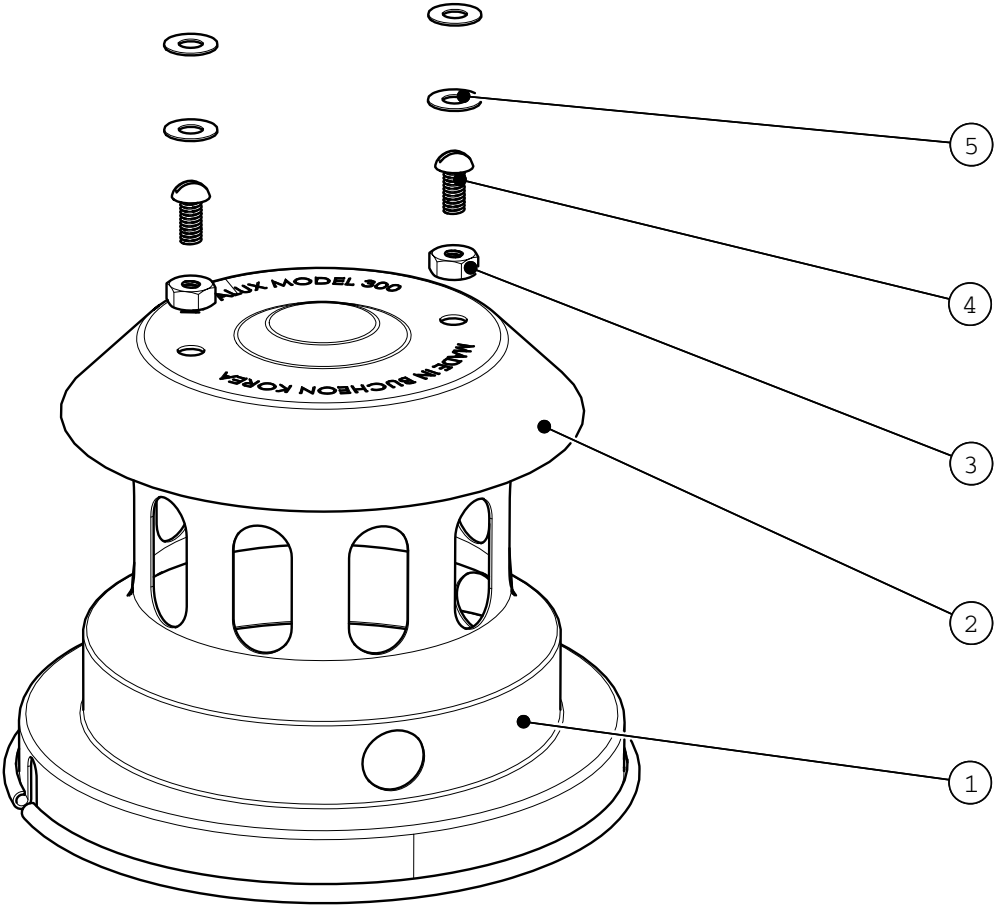


Pump Leather V24



Screws for Cowl & Hood

# Burner Hood

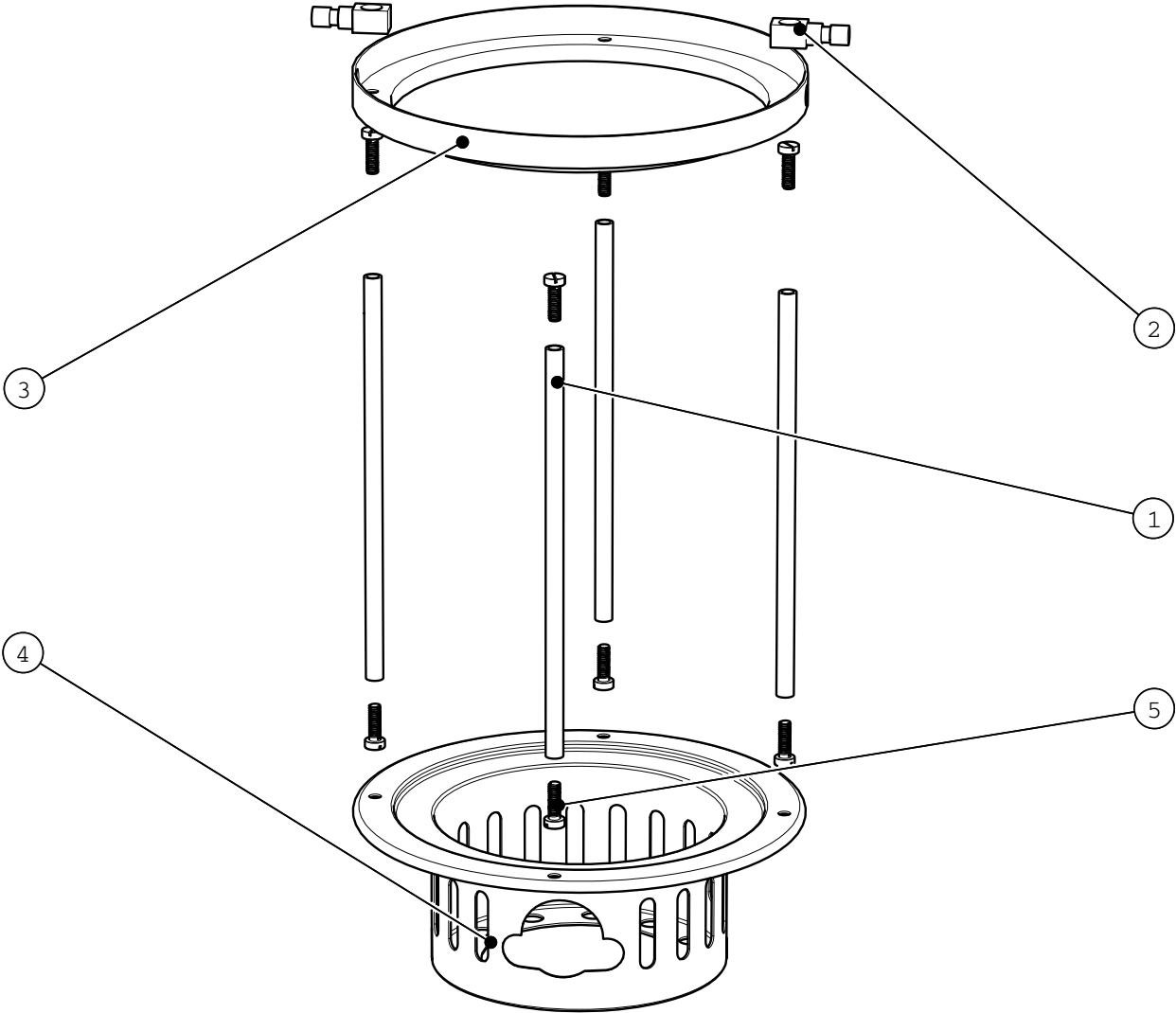


Description	BOM ID	Qty
Burner Hood	1	1
Cowl	2	1

Description	BOM ID	Qty
cowl_nut	3	2
cowl_screw	4	2

Description	BOM ID	Qty
cowl_washer	5	4

# Frame Base

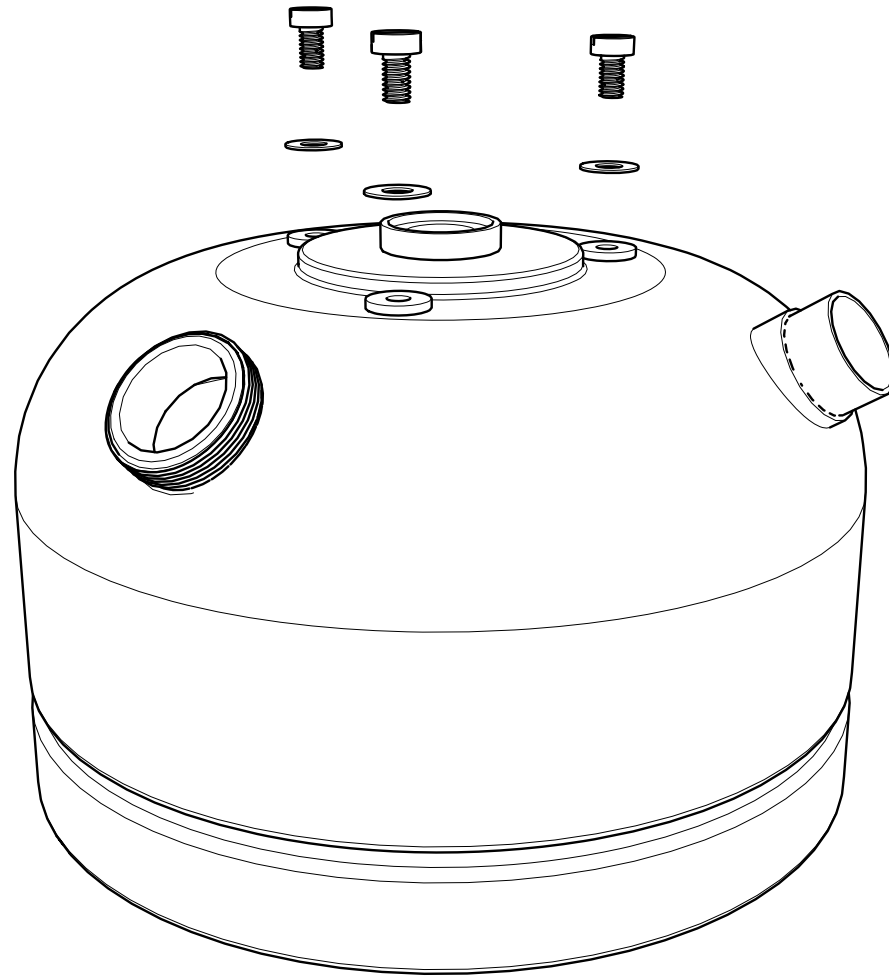


Description	BOM ID	Qty
A1023_plain_rod	1	4
A1072_handle_swivel_pin	2	2

Description	BOM ID	Qty
B2001_frame_ring	3	1
frame_base	4	1

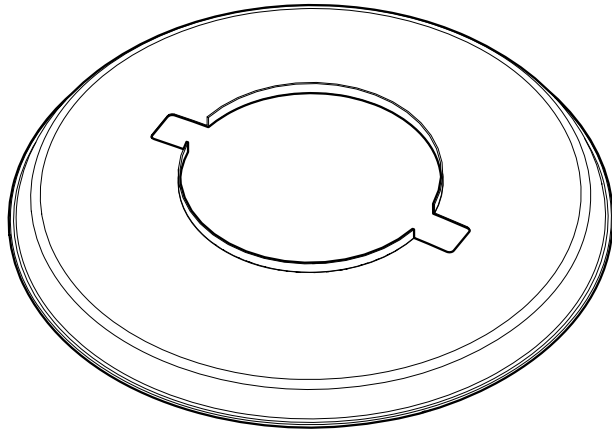
Description	BOM ID	Qty
screw_plain_rod	5	8

# Container



# Options

## Light Shade V1



**Material :** CESP-C  
**Finish :** Enamel or Powder  
**Colour :** Black/White, White, Matt Green, Ivory  
**Weight :** Enamel approx. 610g, Powder approx. 410g

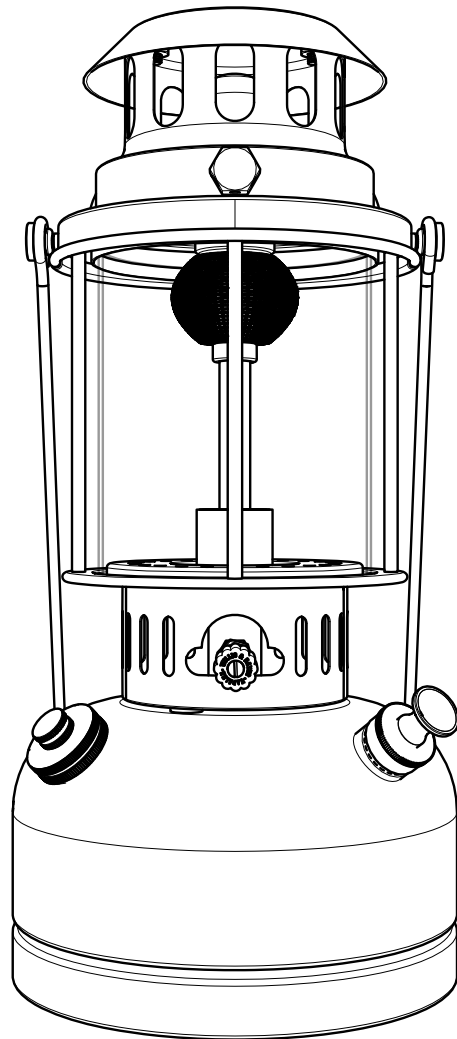
## Soft Lantern Case V19



**Material :**  
Cotton Canvas Fabric 10 (6x6)  
PVC Transparent Coating (Outside)  
Nylon Oxford 210D PU Coating (Inside)  
**Logo :** Embroidered  
**Handle & Zipper grip :** Cowhide  
**Insulation :** PE Form 10T  
**Weight :** approx. 720g



# Specifications



## Specifications

Handle finish : Brass

Bowl finish : Polished Brass

Hood & Cowl : Brass

Height : 345 mm (13.5")

Heat Output : 1 KW

Fuel capacity : 1 Litre (0.26 US gallon)

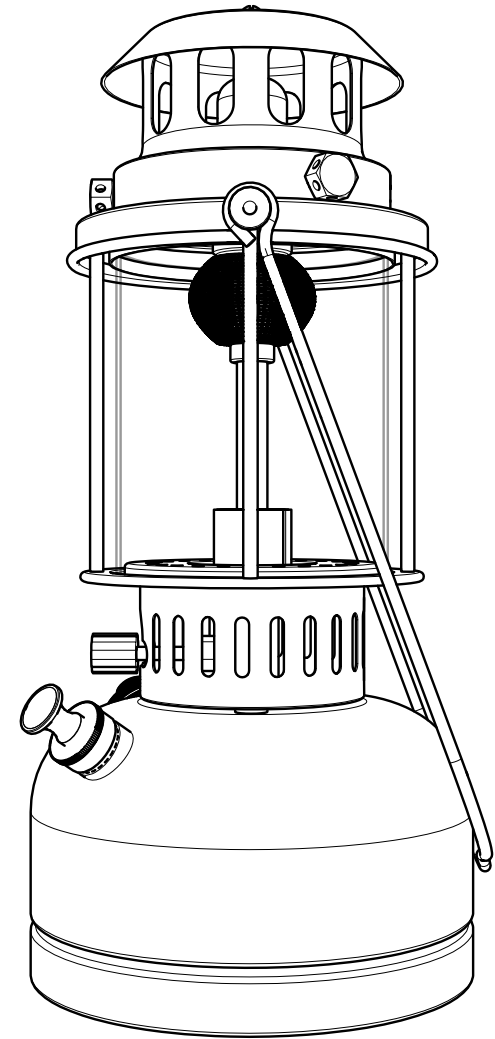
Frame finish : Brass

Country of manufacture : Korea, Republic

Burn time : Approx. 10 hrs

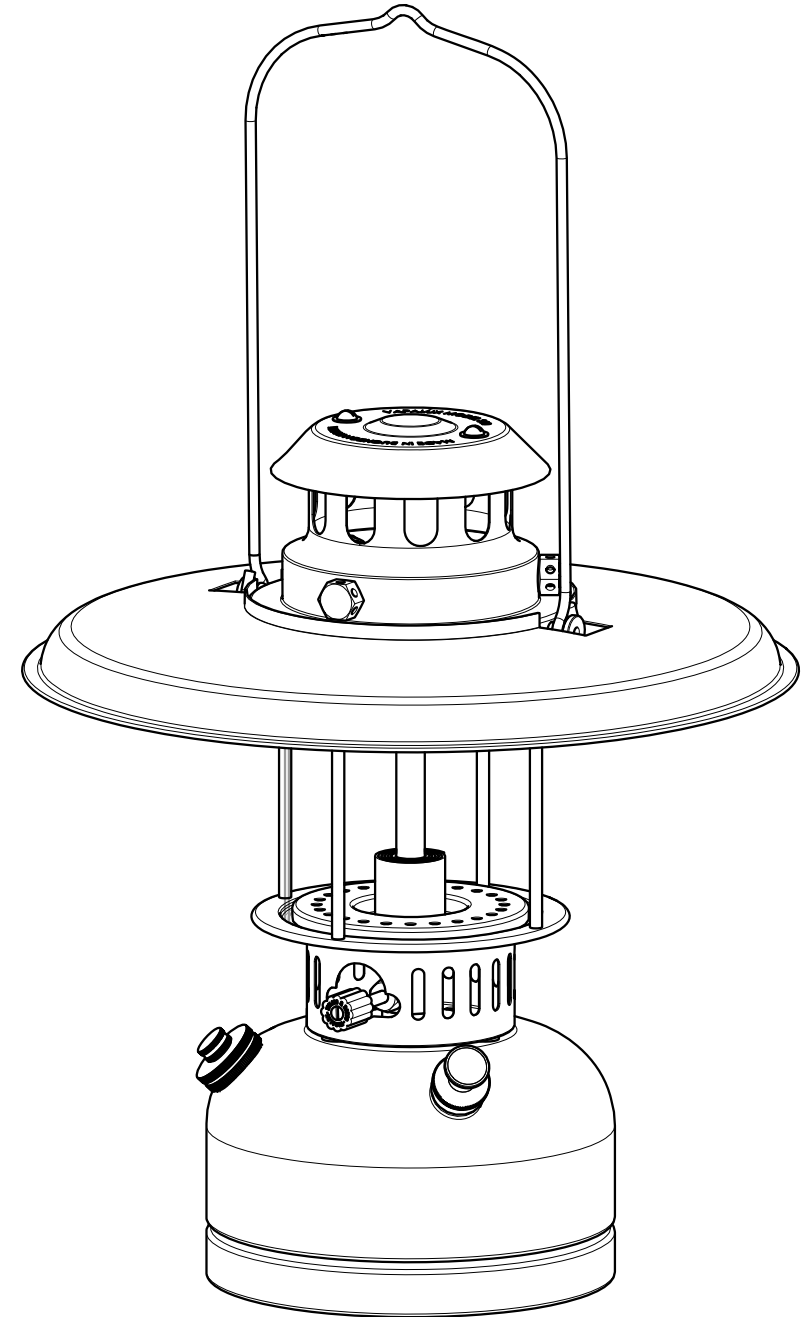
Light output : 60 W (approx.)

Weight : Approx. 1.9 Kg (4.2 lb)





No reproduction in any form of this manual, in whole or in part (except for brief quotation in critical articles or reviews), may be made without written authorization from Vapalux Co., Ltd.



## VAPALUX CO., LTD.

303-207, Bucheon Techno Park 3 Danji,  
#345, Seokcheon-ro, Ojeong-gu,  
421-741 Bucheon, Kyungki-Do, Korea

© 2015 Vapalux Co., Ltd.